

Accessible Bld-Plmb Quiz

Instructions

1. Print these pages.
2. Answer the **Simple questions** that follow mini sections of the code language.
3. Circle the correct answers and transfer the answers to the [answer sheets](#) (see last 3 pages).
4. After answering the simple questions you will become familiar with the new code changes.
5. Page down to the last page for the [verification form](#), answer sheets and mailing instructions.

6 hour \$55 course for:

- | | |
|---|---|
| 1. Master Plumber 6 hrs. | 4. UDC Plumbing Inspector 6 hrs. |
| 2. Journeyman Plumber 6 hrs. | <u>2 hour \$20 course for</u> |
| 3. Commercial Plumbing Inspector 6 hrs. | 1. Commercial Building Inspector 2 hrs. |

Questions call Gary or Amy Klinka at 920-727-9200 or 920-740-6723 or email garyklinka@hotmail.com

FEDERAL ADA & ICC ACCESSIBLE BUILDINGS & FACILITIES

"The Americans with Disability Act" (ADA) of 1990, is a federal civil rights law that prohibits discrimination on the basis of disability. It identifies design requirements for the construction or alteration of facilities. State and local government facilities are addressed under Title II. Places of public accommodation and commercial facilities are addressed under Title III. To ensure access to public facilities by persons with disabilities, the U.S. Access Board published the "ADA Accessibility Guidelines" (ADAAG) in 1991. In 2004, the Board issued updated accessibility guidelines.

Another federal rule that affects new multifamily dwellings is the "Fair Housing Amendment Act" (FHAA) which is enforced by the U.S. Department of Housing and Urban Development. The FHAA requirements also address accessibility for persons with disabilities specifically for multifamily dwellings.

1. FHAA means:
 - a. The Americans with Disability Act
 - b. ADA Accessibility Guidelines
 - c. Fair Housing Amendment Act
 - d. all of the above
2. ADA means:
 - a. The Americans with Disability Act
 - b. ADA Accessibility Guidelines
 - c. Fair Housing Amendment Act
 - d. all of the above
3. ADAAG means:
 - a. The Americans with Disability Act
 - b. ADA Accessibility Guidelines
 - c. Fair Housing Amendment Act
 - d. all of the above

Wisconsin's statewide minimum standards for the design and construction of public buildings, including multifamily dwellings, and places of employment (Wisconsin Commercial Building Code)

are contained in chapters Comm 60-66. Comm 61.05 (1) states that the "International Building Code®" (IBC) has been adopted/incorporated as Wisconsin's commercial building code. The "International Building Code®", chapter 11 covers the requirements for accessibility by individuals with physical disabilities. Section

1101.2 of the IBC requires conformance with chapter 11 provisions and ICC A117.1 "Accessible and Usable Buildings and Facilities®". By adopting the IBC and the ICC A117.1 standards, the Department of Commerce has the authority for compliance (see Stats. 101.02). The ADA (Title II & Title III) is enforced by the U.S. Department of Justice.

The intent and purpose of the federal rules (ADAAG & FHAA), as well as the state-adopted standards (IBC-2006 and ICC A117.1-2003) are the same. The specific technical provisions are not identical in all respects. Since the department of Commerce enforces the state administrative rules and its adopted standards, compliance with Comm 60-66 (along with the adopted IBC & ICC A117.1) will be the specific focus of the following pages.

Requirements within the ADAAG or ICC A117.1 are not mandated for construction of one- and 2-family dwellings.

All references to the International Building Code® refer to the 2006 edition. All references to the ICC A117.1 Accessible and Usable Buildings and Facilities® refer to the 2003 edition.

International Building Code® is a registered trademark of the International Code Council, Inc.

Accessible and Usable Buildings and Facilities® is a registered trademark of the International Code Council.

The International Code Council bears no responsibility for the contents of this chapter and in no way contributed to the formation, editing or publishing of this chapter.

The content of this chapter in its entirety is intended as a guide in assisting interested parties in applying the Accessibility Code requirements to specific plumbing fixture installation. The authors of this book are not responsible for misinterpretations of the information contained within this chapter.

The scope of the following drawings is limited to new construction of public buildings and places of employment. It does not specifically address accessible dwelling units and living units.

4. The "International Building Code®", chapter ___ covers the requirements for accessibility by individuals with physical disabilities. Section

- a. 9
- b. 10
- c. 11
- d. none of the above

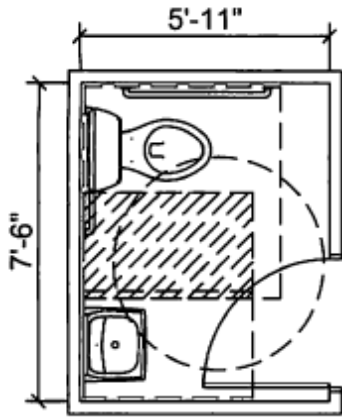
5. Requirements within the _____ are not mandated for construction of one- and 2-family dwellings.

- a. ADAAG
- b. ICC A117.1
- c. both a & b
- d. none of the above

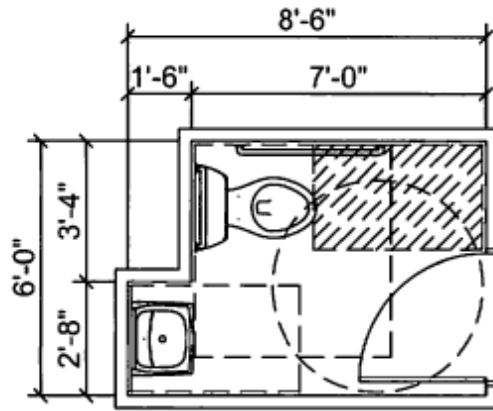
6. The content of this chapter in its entirety is intended as a _____ in assisting interested parties in applying the Accessibility Code requirements to specific plumbing fixture installation.

- a. design manual
- b. guide
- c. both a & b
- d. none of the above

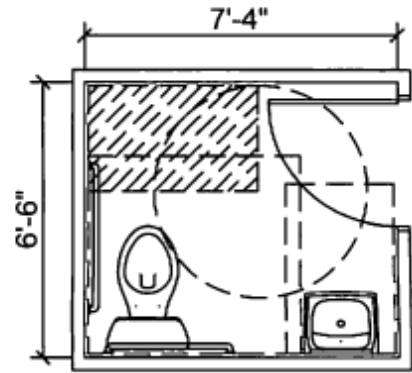
ACCESSIBLE BUILDINGS & FACILITIES Single Occupant Toilet Rooms



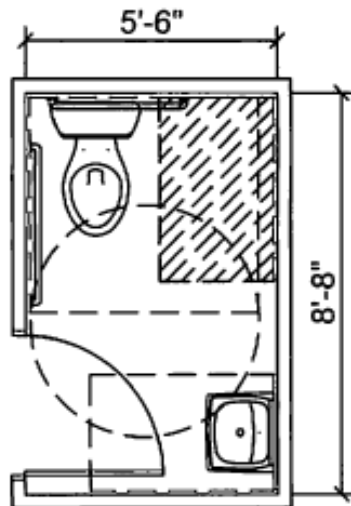
OPTION 'A'



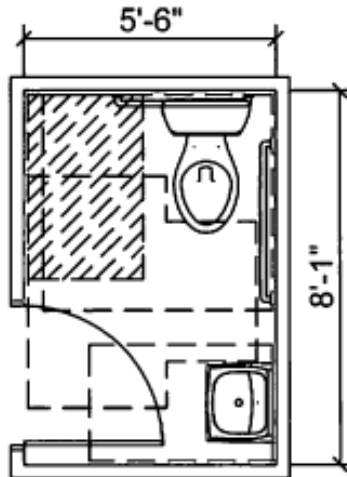
OPTION 'B'



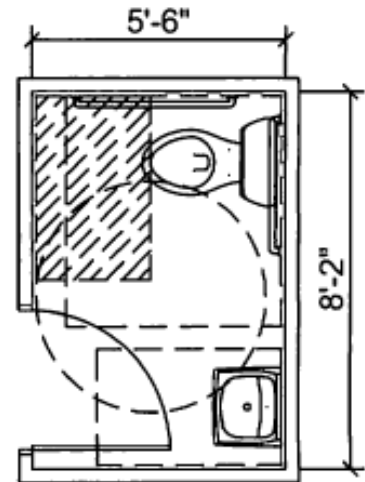
OPTION 'C'



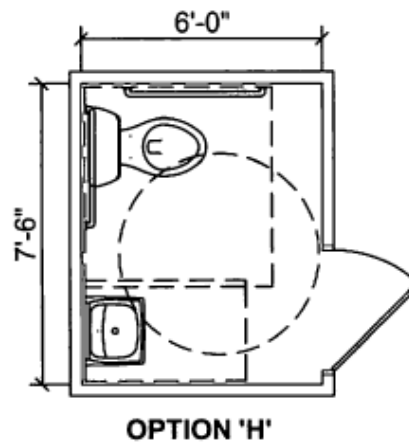
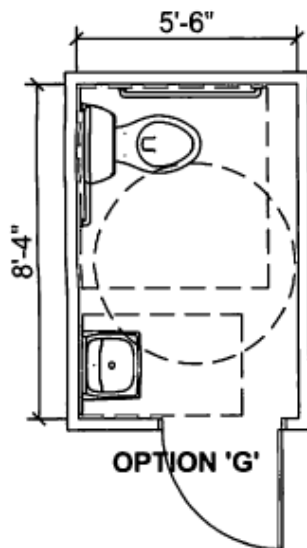
OPTION 'D'



OPTION 'E'



OPTION 'F'

**Notes:**

Compartments containing more than one plumbing fixture must comply with ICC A117.1 section 603.2

A 60" turning space must be provided within the room & comply with ICC A117.1 section 304.

A minimum clearance of 60" x 56" must be provided for the water closet. ICC A117.1 section 304.3.1

A minimum clearance of 30" x 48" must be provided for the lavatory.

Shaded area denotes 30" x 48" clear floor area required when door swings into compartment.

7. A minimum of 60" x 56" must be provided for the _____.
- lavatory
 - water closet
 - room
 - none of the above
8. A minimum of 30" x 48" must be provided for the _____.
- lavatory
 - water closet
 - room
 - none of the above
9. A minimum of 60" turning radius must be provided for the _____.
- lavatory
 - water closet
 - room
 - none of the above

Knee & Toe Space

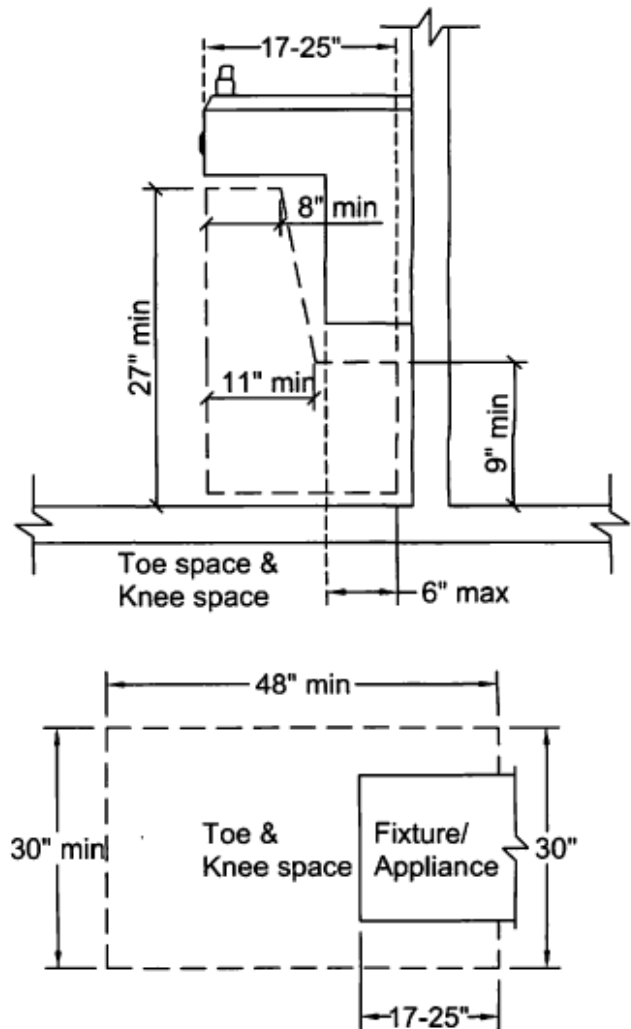
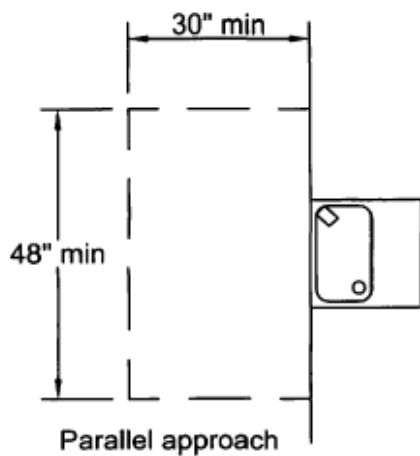
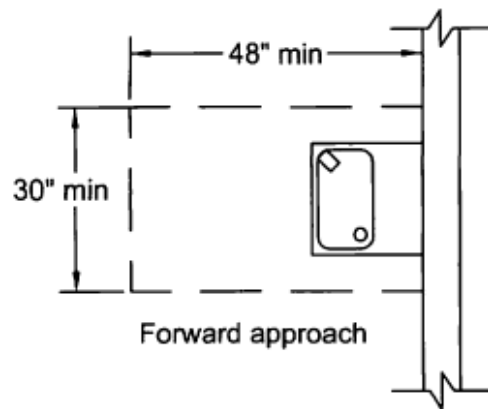
Clear floor space: A clear floor space 30" by 48" shall be provided to access all fixtures. This 30" x 48" is permitted to be positioned for forward or parallel approach. In some instances the position is specifically identified as forward approach only. ICC A117.1 sections 305.3, 602.2, 605.3 & 606.2

Toe space height & width: space beneath a fixture from the floor to a minimum 9" above the floor must be provided for toe clearance and must be 30" minimum in width. See ICC A117.1 sections 305.2.1 & 305.2.5

Toe space depth: where toe clearance is required at a fixture, the depth provided shall be 17" minimum to 25" maximum. The maximum 25" includes space provided for knee & toe space. The provided toe space is limited to a maximum depth of 6" if the fixture creates an obstruction beyond the available knee clearance. See ICC A117.1 sections 305.2.2, 305.2.3 & 305.2.4

Knee space height & width: space beneath a fixture from the between minimum 9" and 27" above the floor must be provided for knee clearance and must be 30" in width. See ICC A117.1 sections 305.3.1 & 305.3.5

Knee space depth: where knee clearance is required below a fixture, the depth provided shall be 11" minimum (at 9" above the floor) and 8" (at 27" above the floor). See ICC A117.1 sections 305.3.3 & 305.2.3.



10. Where knee clearance is required below a fixture, the depth provided shall be 11" minimum at 9" above the floor and 8" at 27" above the floor means:

- Knee space depth
- Knee space height & width
- Toe space depth
- Toe space height & width

11. Space beneath a fixture from the between minimum 9" and 27" above the floor must be provided for knee clearance and must be 30" in width means:

- Knee space depth
- Knee space height & width
- Toe space depth
- Toe space height & width

12. Where toe clearance is required at a fixture, the depth provided shall be 17" minimum to 25" maximum. The maximum 25" includes space provided for knee & toe space. The provided toe space is limited to a maximum depth of 6" if the fixture creates an obstruction beyond the available knee clearance means:

- Knee space depth
- Knee space height & width
- Toe space depth
- Toe space height & width

13. Space beneath a fixture from the floor to a minimum 9" above the floor must be provided for toe clearance and must be 30" minimum in width means:
- Knee space depth
 - Knee space height & width
 - Toe space depth
 - Toe space height & width
14. A clear floor space 30" by 60" shall be provided to access all fixtures.
- true
 - false
15. This 30" x 48" is permitted to be positioned for _____ approach.
- forward
 - parallel
 - backwards
 - both a & b

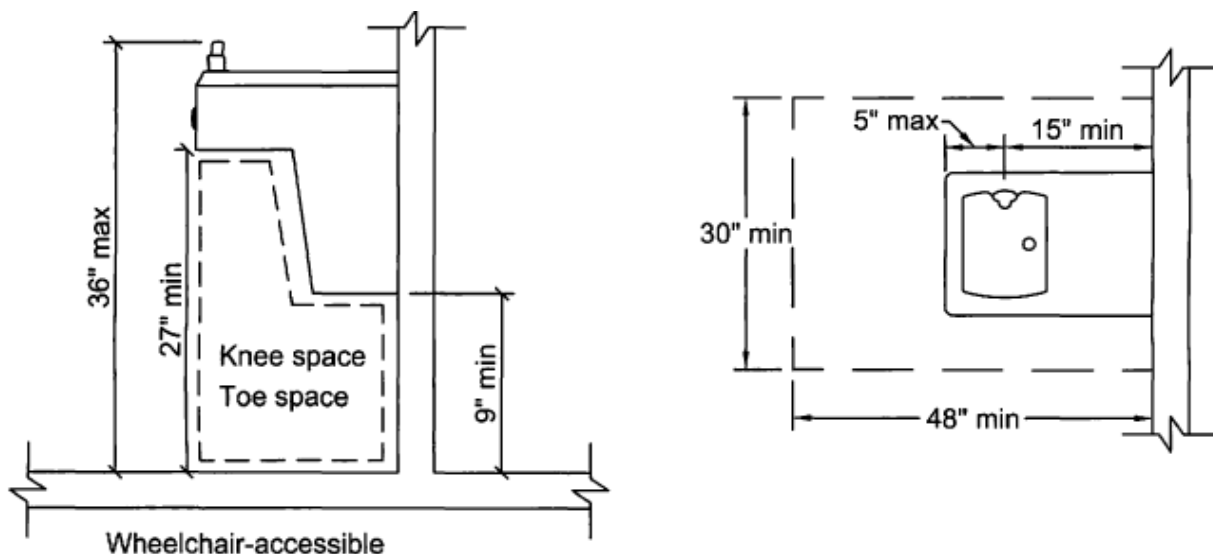
Drinking Fountains

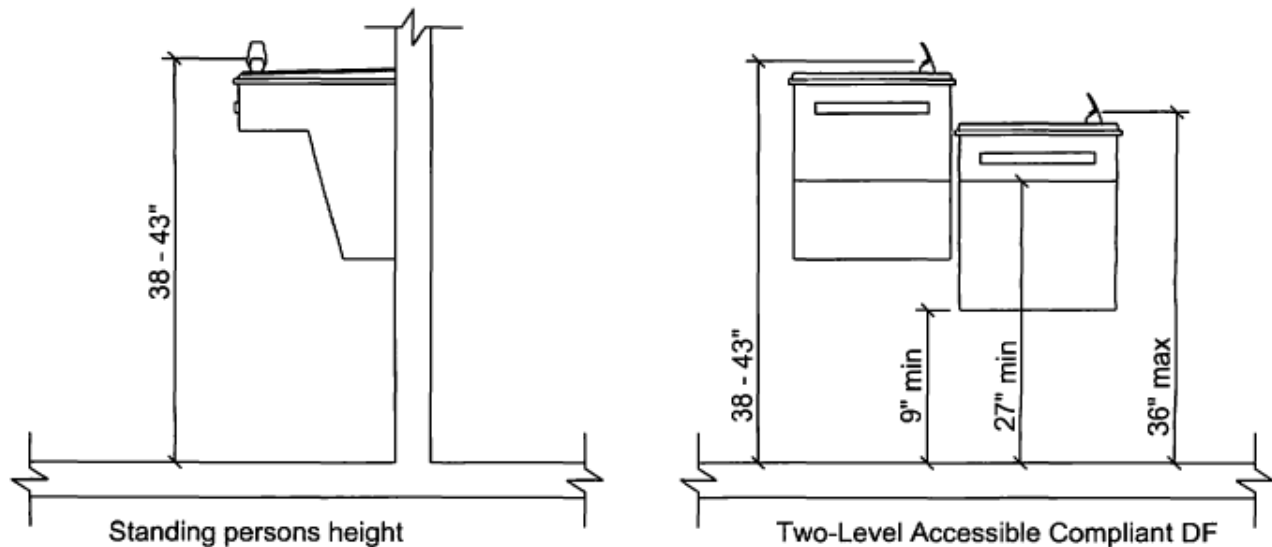
Minimum number of drinking fountains: two drinking fountains are required; one must meet the requirements of a wheelchair accessible drinking fountain, and the other installed for standing persons. A bi-level drinking fountain is a common installation option. Bottled water may be used in lieu of drinking fountains. ICC A117.1 section 602.4 & IBC section 1190.5.1.

Clear floor space: A clear floor space 30" by 48" shall be provided in front of drinking fountains to allow a forward approach. The 30" width must be centered on the drinking fountain. Knee & toe space shall be provided. ICC A117.1 section 305 & 602.2.

Spout height: the spout outlet is required to be a maximum 36" above the floor for wheelchair accessible drinking fountains, but 38 to 43" for standing persons. See ICC A117.1 section 602.4. The 2004 revision of ADAAG requires the urinal to be elongated with a minimum 13 1/2" depth measured from outer face of the fixture to the back of the fixture, see ADAAG 605.2-2004.

Operable parts: conform to requirements identified in ICC A117.1 section 309.4 & 602.3. These include: operated with one hand, not require tight grasping or pinching, and a maximum force of 5 pounds to operate the flushing mechanism.





16. These include: operated with one hand, not require tight grasping or pinching, and a maximum force of 5 pounds to operate the flushing mechanism means:

- a. Operable parts
- b. Spout height
- c. Clear floor space
- d. Minimum number of drinking fountains

17. The spout outlet is required to be a maximum 36" above the floor for wheelchair accessible drinking fountains, but 38 to 43" for standing persons means:

- a. Operable parts
- b. Spout height
- c. Clear floor space
- d. Minimum number of drinking fountains

18. A clear floor space 30" by 48" shall be provided in front of drinking fountains to allow a forward approach. The 30" width must be centered on the drinking fountain. Knee & toe space shall be provided means:

- a. Operable parts
- b. Spout height
- c. Clear floor space
- d. Minimum number of drinking fountains

19. Two drinking fountains are required; one must meet the requirements of a wheelchair accessible drinking fountain, and the other installed for standing persons. A bi-level drinking fountain is a common installation option. Bottled water may be used in lieu of drinking fountains means:

- a. Operable parts
- b. Spout height
- c. Clear floor space
- d. Minimum number of drinking fountains

20. The 2004 revision of ADAAG requires the urinal to be elongated with a minimum ___ depth measured from outer face of the fixture to the back of the fixture.

- a. 18"
- b. 13 1/2"
- c. 16"
- d. none of the above

Lavatories

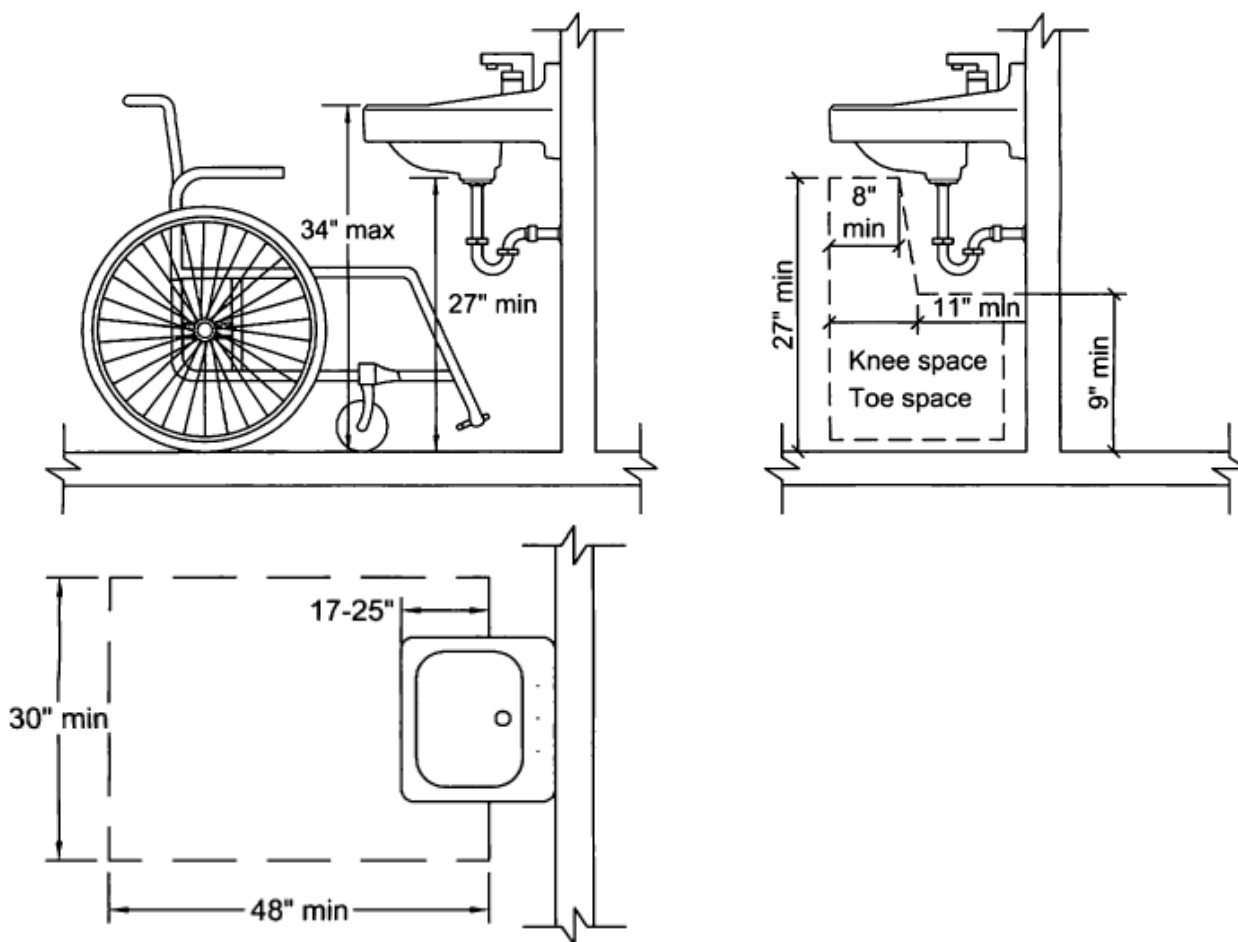
Clear floor space: A clear floor space 30" by 48" shall be provided in front of lavatories to allow a forward approach. The clear floor space is permitted to extend below the lavatory up to a maximum 25" in depth. ICC A117.1 section 305.3 & 606.2.

Sink height: lavatories must be installed with the rim or counter surface 34" maximum above the floor. ICC A117.1 section 606.3

Knee & toe space: knee and toe space must be provided. ICC A117.1 section 305.3 & 606.2.

Exposed pipes: the drain & water supplies must be insulated or installed in such a way to protect against contact. An offset drain and supplies installed close to wall is permitted or providing insulation on drain & supplies. ICC A117.1 section 606.6.

Faucets: conform to requirements identified in ICC A117.1 section 309 & 606.4. These include: operated with one hand, not require tight grasping or pinching, and a maximum force of 5 pounds to operate the flushing mechanism.



21. The drain & water supplies must be insulated or installed in such a way to protect against contact. An offset drain and supplies installed close to wall is permitted or providing insulation on drain & supplies means:

- Exposed pipes
- Knee & toe space
- Sink height
- Clear floor space

22. Knee and toe space must be provided means:
- Exposed pipes
 - Knee & toe space
 - Sink height
 - Clear floor space
23. Lavatories must be installed with the rim or counter surface 34" maximum above the floor means:
- Exposed pipes
 - Knee & toe space
 - Sink height
 - Clear floor space
24. A clear floor space 30" by 48" shall be provided in front of lavatories to allow a forward approach. The clear floor space is permitted to extend below the lavatory up to a maximum 25" in depth means:
- Exposed pipes
 - Knee & toe space
 - Sink height
 - Clear floor space
25. Faucets: conform to requirements identified in ICC A117.1 section 309 & 606.4. These include: operated with one hand, not require tight grasping or pinching, and a maximum force of ___ pounds to operate the flushing mechanism.
- 3
 - 4
 - 5
 - 6

Urinal Requirements

Clear floor space: A clear floor space 30" by 48" shall be provided in front of urinals to allow a forward approach. ICC A117.1 section 305 & 605.3.

Height to rim of urinal: Urinals shall be stall type or wall hung type with the rim at 17 inches maximum above the floor. See ICC A117.1 section 605.2. The 2004 revision of ADAAG requires the urinal to be elongated with a minimum 13 1/2" depth measured from outer face of the fixture to the back of the fixture, see ADAAG 605.2-2004.

Height to flush controls: Flush controls are permitted to be hand operated or automatic. The maximum reach height to manually operate is 48 inches above the finished floor. See ICC A117.1 section 308.2 for a forward unobstructed reach. If the obstruction is over 20" in depth, the maximum reach height is 44". ADAAG-1991 requires 44" as the maximum height.

Manual Flush controls: Additional requirements for flush controls are required by ICC A117.1 section 309.4 & 607.5. These include: operated with one hand, not require tight grasping or pinching, and a maximum force of 5 pounds to operate the flushing mechanism.

26. Additional requirements for flush controls are required by ICC A117.1 section 309.4 & 607.5. These include: operated with one hand, not require tight grasping or pinching, and a maximum force of 5 pounds to operate the flushing mechanism means:
- Clear floor space
 - Height to rim of urinal
 - Height to flush controls
 - Manual Flush controls

27. Flush controls are permitted to be hand operated or automatic. The maximum reach height to manually operate is 48 inches above the finished floor. See ICC A117.1 section 308.2 for a forward unobstructed reach means:

- a. Clear floor space
- b. Height to rim of urinal
- c. Height to flush controls
- d. Manual Flush controls

28. Urinals shall be stall type or wall hung type with the rim at 17 inches maximum above the floor. See ICC A117.1 section 605.2. The 2004 revision of ADAAG requires the urinal to be elongated with a minimum 13 1/2" depth measured from outer face of the fixture to the back of the fixture means:

- a. Clear floor space
- b. Height to rim of urinal
- c. Height to flush controls
- d. Manual Flush controls

29. A clear floor space 30" by 48" shall be provided in front of urinals to allow a forward approach means:

- a. Clear floor space
- b. Height to rim of urinal
- c. Height to flush controls
- d. Manual Flush controls

30. If the obstruction is over 20" in depth, the maximum reach height is _____" for the height to flush controls.

- a. 42
- b. 44
- c. 48
- d. none of the above

31. The maximum reach height to manually operate is ____ inches above the finished floor for the height to flush controls.

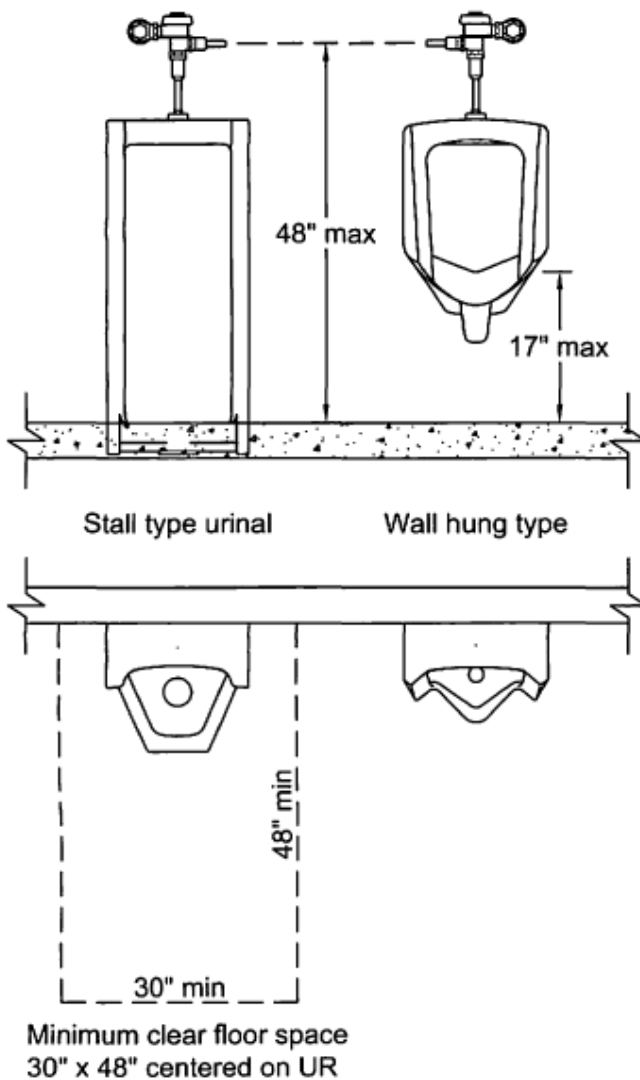
- a. 42
- b. 44
- c. 48
- d. none of the above

32. Manual Flush controls must be operated with one hand, not require tight grasping or pinching, and a maximum force of ____ pounds to operate the flushing mechanism.

- a. 3
- b. 4
- c. 5
- d. 6

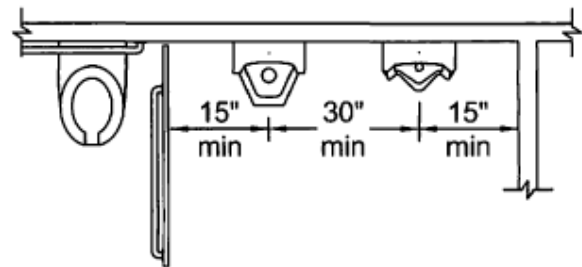
33. The 2004 revision of ADAAG requires the urinal to be elongated with a minimum ____" depth measured from outer face of the fixture to the back of the fixture.

- a. 10
- b. 12
- c. 15
- d. none of the above

**Note:**

A standard stall type urinal is approximately 38" from finished floor to top of fixture. A standard flushometer valve roughs-in about 11 1/2" above the top of a fixture. The maximum 48" height to manually operated flushometer valve (or 44" for ADAAG) is difficult to obtain. An automatic flush valve is an alternative.

Another related requirement involved in the height of the flush valve is the ASSE 1037 requirement regarding the atmospheric vacuum breaker component within the flushometer valve. The critical level mark identified on the flush valve must be a minimum of 6" above the flood level rim of the urinal.

**Comm 84 Spacing Requirements for Urinals:**

Minimum 15" from center of urinal to side wall or partitions, and a minimum 30" center to center between urinals. See Comm 84.20 (n) 2.

34. If the maximum height installation for a manual urinal flush valve cannot be obtained then an automatic flush valve is an alternative.
- true
 - false
35. The critical level mark identified on the flush valve must be a minimum of ____" above the flood level rim of the urinal.
- 3
 - 4
 - 12
 - none of the above
36. Minimum spacing requirements for a urinal to a side wall would be ____".
- 12
 - 15
 - 30
 - 18
37. Minimum spacing requirements for a urinal to another urinal would be ____".
- 12
 - 15
 - 30
 - 18

Water Closets

Accessible water closet compartments: According to IBC section 1109.2 & 1109.2.2 at least one water closet must be wheelchair-accessible. When 6 or more water closets and/or urinals are provided, at least one ambulatory-accessible compartment is required in addition to the wheelchair-accessible compartment. Wheelchair-accessible compartments must comply with ICC A117.1 section 604.8, and ambulatory accessible compartments must comply with ICC A117.1 section 604.9.

Clear floor space: The clearance around a wheelchair accessible water closet is 60" in width by 56" in depth for a wall hung water closet or 59" in depth for a floor mounted water closet, see ICC A117.1 section 604.8.2. In contrast, the clearance around an ambulatory accessible water closet is 36" in width and 60" in depth. See section 604.9.2.

Location: minimum 16"-18" center of water closet to side wall for wheelchair-accessible and 17"-19" for ambulatory-accessible compartments. See ICC A117.1 section 604.2.

Height to water closet seats: the height to the water closet seat is 17-19" above the floor. See ICC A117.1 section 604.4. Seats are not to be self-rising.

Height to flush controls: Flush controls are permitted to be hand operated or automatic. The maximum reach height to manually operated controls is 48 inches above the floor. See ICC A117.1 section 308.2. Flush controls must be located to the open side of the water closet.

Manual Flush controls: Additional requirements for flush controls are required by ICC A117.1 section 309.4 & 604.6. These include: operated with one hand, not require tight grasping or pinching, and a maximum force of 5 pounds to operate the mechanism.

38. Additional requirements for flush controls are required by ICC A117.1 section 309.4 & 604.6. These include: operated with one hand, not require tight grasping or pinching, and a maximum force of 5 pounds to operate the mechanism Means:

- a. Location
- b. Height to water closet seats
- c. Height to flush controls
- d. Manual Flush controls

39. Flush controls are permitted to be hand operated or automatic. The maximum reach height to manually operated controls is 48 inches above the floor means:

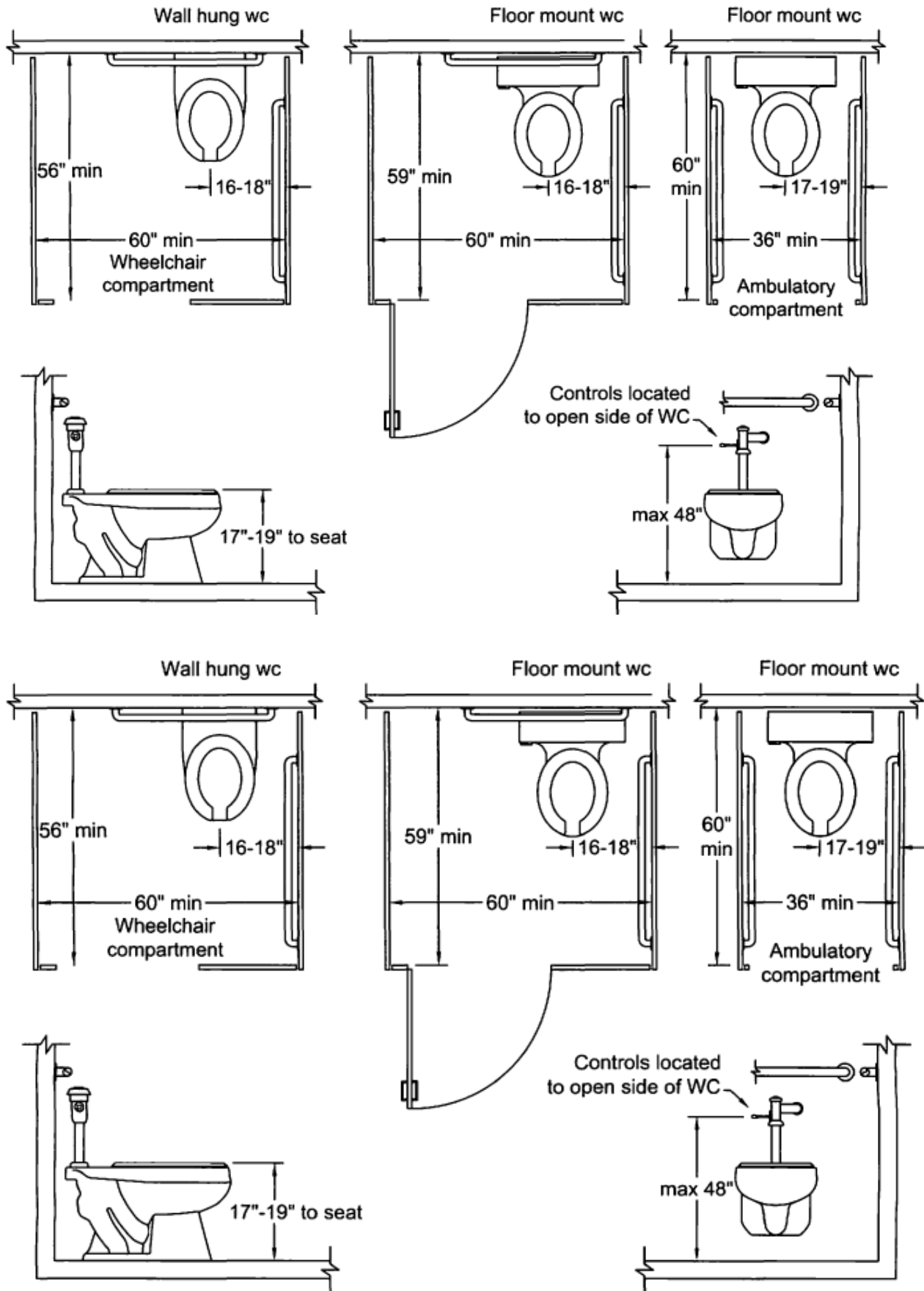
- a. Location
- b. Height to water closet seats
- c. Height to flush controls
- d. Manual Flush controls

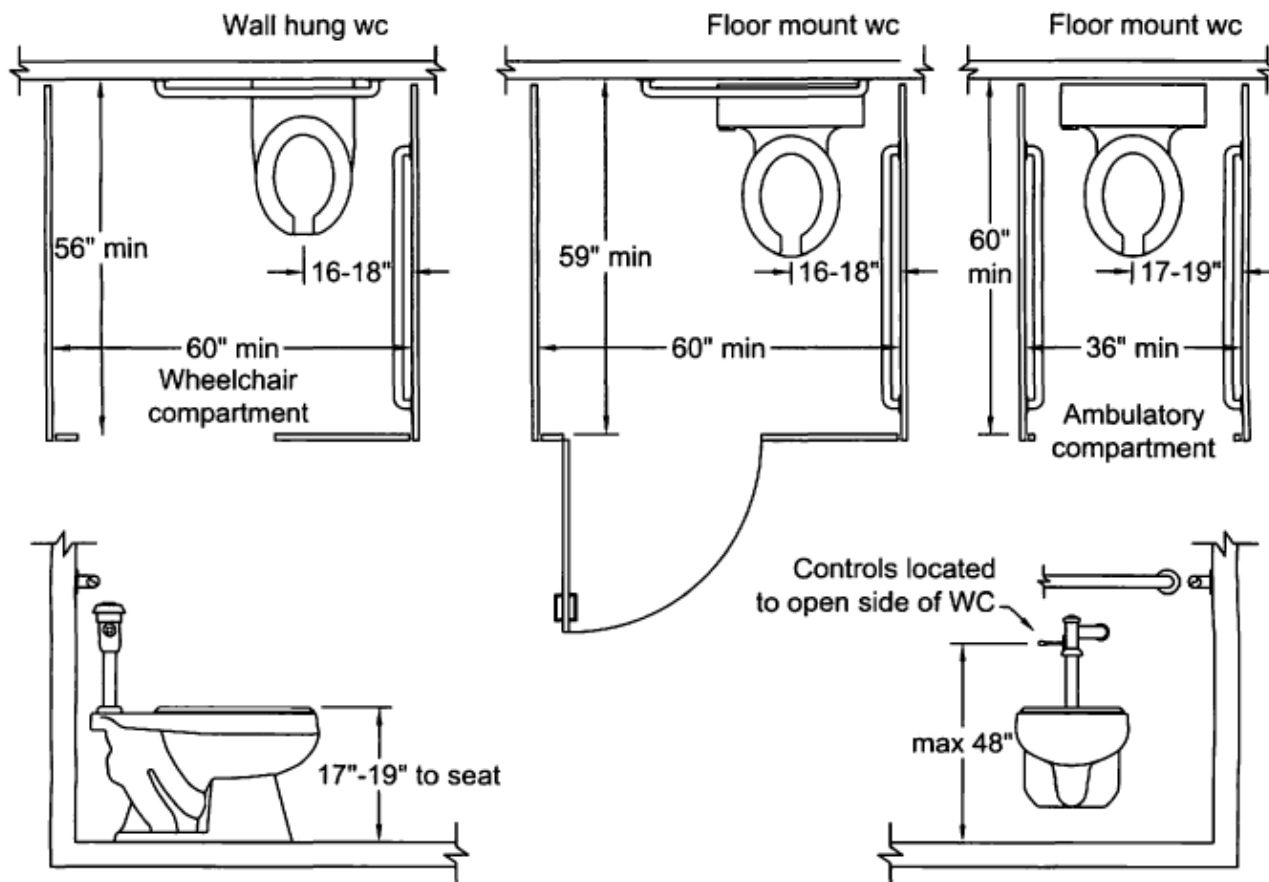
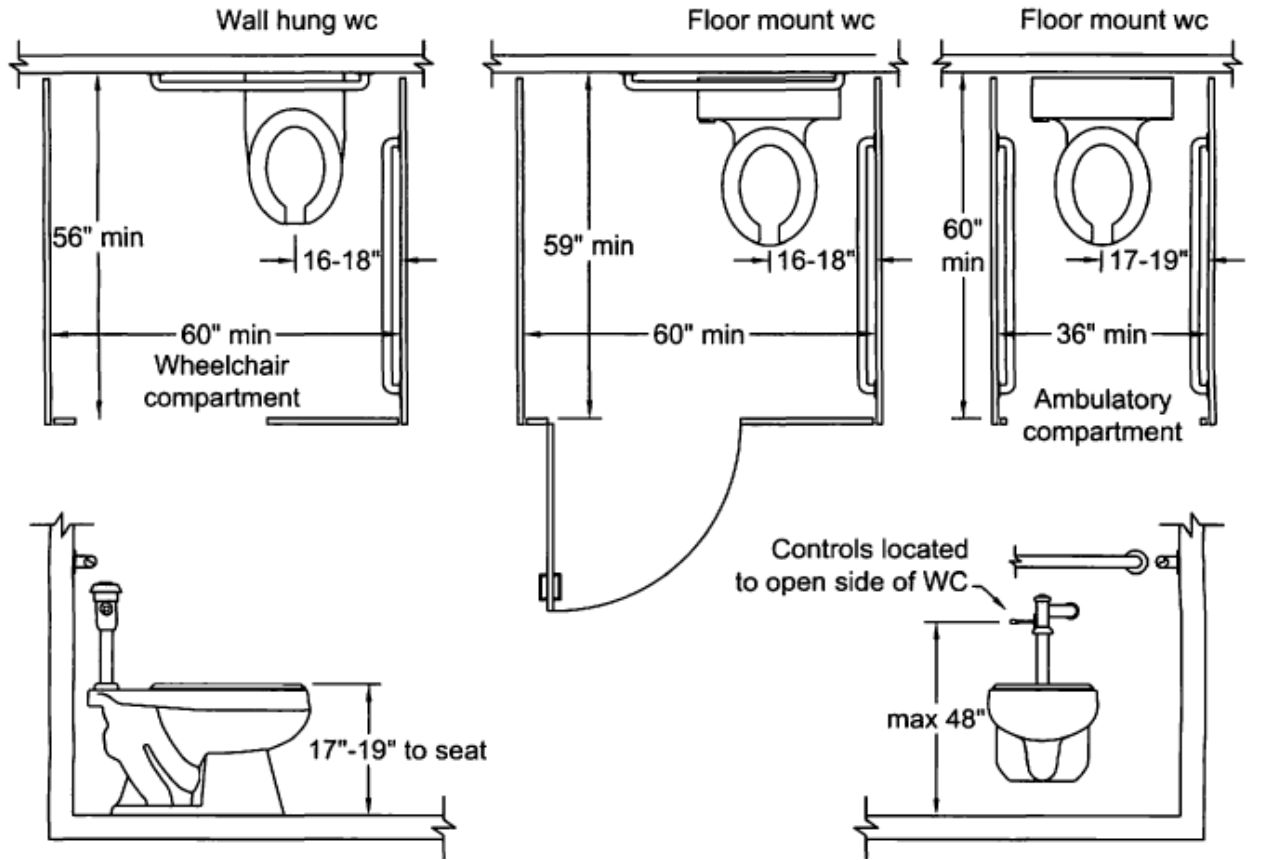
40. The height to the water closet seat is 17-19" above the floor. See ICC A117.1 section 604.4. Seats are not to be self-rising means:

- a. Location
- b. Height to water closet seats
- c. Height to flush controls
- d. Manual Flush controls

41. Minimum 16"-18" center of water closet to side wall for wheelchair-accessible and 17"-19" for ambulatory-accessible compartments means:

- a. Location
- b. Height to water closet seats
- c. Height to flush controls
- d. Manual Flush controls





42. When ___ or more water closets and/or urinals are provided, at least one ambulatory-accessible compartment is required in addition to the wheelchair-accessible compartment.
- 3
 - 4
 - 6
 - 2

Accessible water closet compartments: According to IBC section 1109.2 & 1109.2.2 at least one water closet must be wheelchair-accessible.

Clear floor space: The clearance around a wheelchair accessible water closet is 60" in width by 56" in depth for a wall hung water closet or 59" in depth for a floor mounted water closet see ICC A117.1 section 604.8.2. The door shall not swing into the required specified area for the water closet. See section 604.8.3.

Doors: required to comply with ICC A117.1 section 404.1. Doors must have a minimum 32" clear opening width. When the door swings into the toilet compartment, the minimum additional space is 36".

Location: minimum 16"-18" center of water closet to side wall for wheelchair-accessible. See ICC A117.1 section 604.2.

Compartment size dependent on door swing: The figures shown identify the minimum size compartment for a wheelchair accessible compartment. The upper figure shows the preferred layout with the door swinging outward as one enters the compartment. The door is permitted to swing inward. The 2 additional figures show options with the door swinging into the compartment.

43. According to IBC section 1109.2 & 1109.2.2 at least one water closet must be wheelchair-accessible.

- 3
- 4
- 1
- 2

44. The door may swing into the required specified area for the water closet.

- true
- false

45. The water closet location may be ___" to the center of water closet to side wall for wheelchair-accessible.

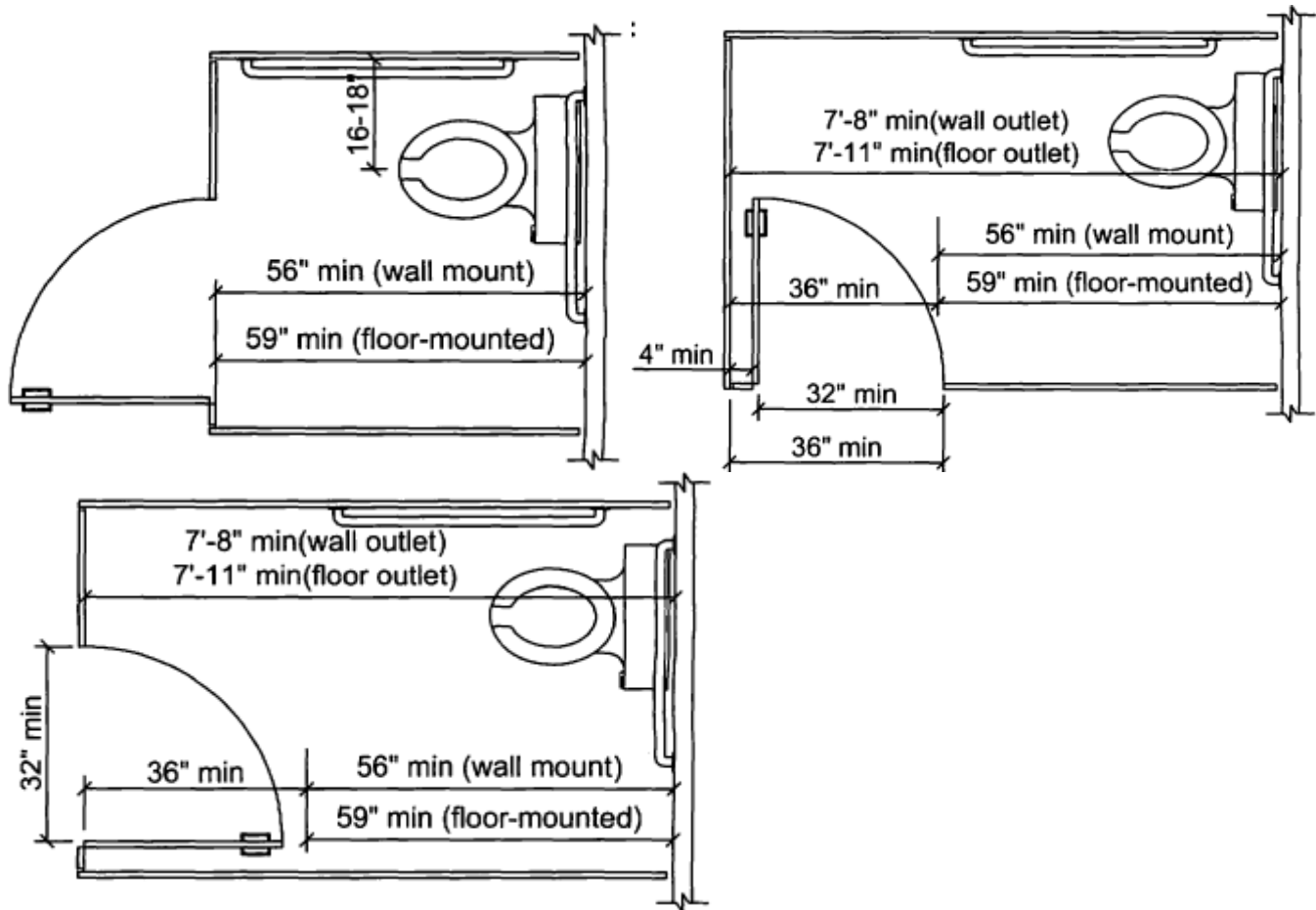
- 16
- 17
- 18
- all of the above

Water Closets

Grab bars for wheelchair-accessible water closets: horizontal grab bars are required on the rear wall and side wall. See ICC A117.1 section 604.5, and section 609. Sidewall grab bars must be a maximum distance of 12" from rear wall; minimum 42" in length at 33" to 36" above the floor. A vertical grab bar 18" minimum in length mounted 39" to 41" above the floor to the bottom of the bar; and 39" to 41" from the rear wall to the centerline of the bar. The rear grab bar must be 36" in length; 33-36" above the floor; extend from the centerline of the water closet to the rear wall a minimum of 12" from water closet and a minimum 24" to the open side of the water closet. The rear grab bar is

permitted to be a minimum 24" in length if the wall space doesn't allow the 36" preferred length. See section 604.5.2.

Grab bars for ambulatory-accessible water closets: horizontal grab bars are required on both side walls. See ICC A117.1 section 604.5, 604.9.4, and section 609. Sidewall grab bars are a maximum distance of 12" from rear wall; minimum 42" in length at 33" to 36" above the floor. A vertical grab bar on both side walls 18" minimum in length mounted 39" to 41" above the floor to the bottom of the bar, and 39" to 41" from the rear wall to the centerline of the bar. See section 604.5.2.



46. A vertical grab bar 18" minimum in length mounted _____" above the floor to the bottom of the bar.
- 39
 - 40
 - 41
 - all of the above
47. A vertical grab bar 18" minimum in length mounted _____" from the rear wall to the centerline of the bar.
- 39
 - 40
 - 41
 - all of the above
48. Grab bars for ambulatory-accessible water closets: horizontal grab bars are required on ___ side walls.
- one

- b. both
- c. both a or b
- d. none of the above

Transfer shower stalls

Transfer shower compartments: minimum size is 36" x 36", and must have a minimum 36" entry. See ICC A117.1 section 608.2.1

Clear floor space accessing the transfer shower compartment: a minimum 36" x 48" area must be provided adjacent to the compartment. See ICC A117.1 section 608.2.1.

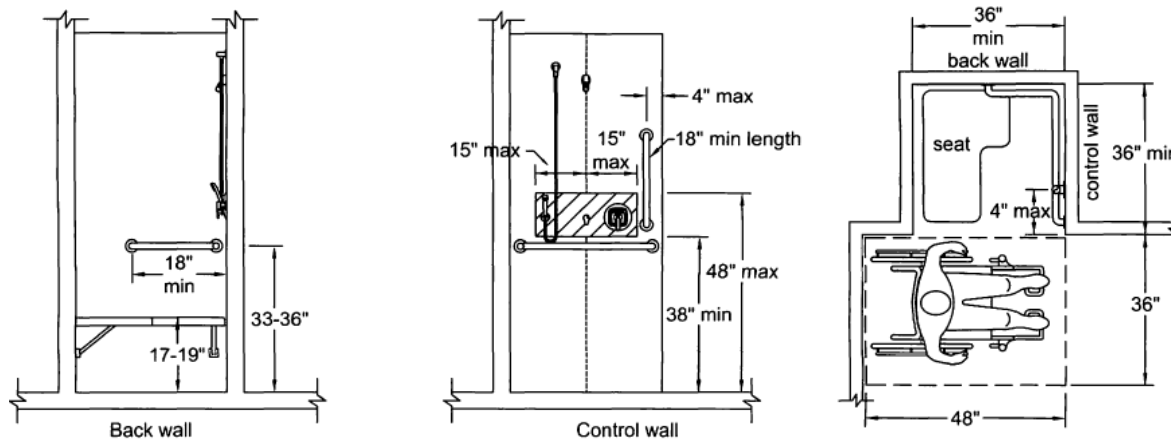
Grab bars: grab bars for transfer showers must comply with ICC A117.1 section 609 & 608.3.1. Horizontal grab bars (33-36" above the floor) are required on control wall & back wall 18" from control wall; a minimum 18" vertical grab bar is required on the control wall 3-6" above the horizontal bar & 4" from front edge of shower entry.

Seats: a seat is required for transfer showers, installed 17-19" above the floor. See ICC A117.1 section 608.4 & 610.

Controls: shower faucet controls must meet the requirements of ICC A117.1 section 608.5 & 309.4. Controls must be installed 38-48" above the floor, 15" left or right of the centerline of the control wall, located on wall opposite the seat wall.

Hand-held showers: 59" minimum hose used in fixed or hand-held is required. See ICC A117.1 with vertical bar is required.

Transfer showers: a transfer shower involves transferring an individual from a wheelchair onto the seat of the shower compartment. All dimensions & access to elements are in relation to the seated person.



49. A seat is required for transfer showers, installed 17-19" above the floor.

- a. 17
- b. 18
- c. 19
- d. all of the above

50. Transfer shower compartments minimum size is 3' x 3" and must have a minimum ___" entry.

- a. 30
- b. 32
- c. 36
- d. all of the above

Standard Roll-in shower stalls without seats

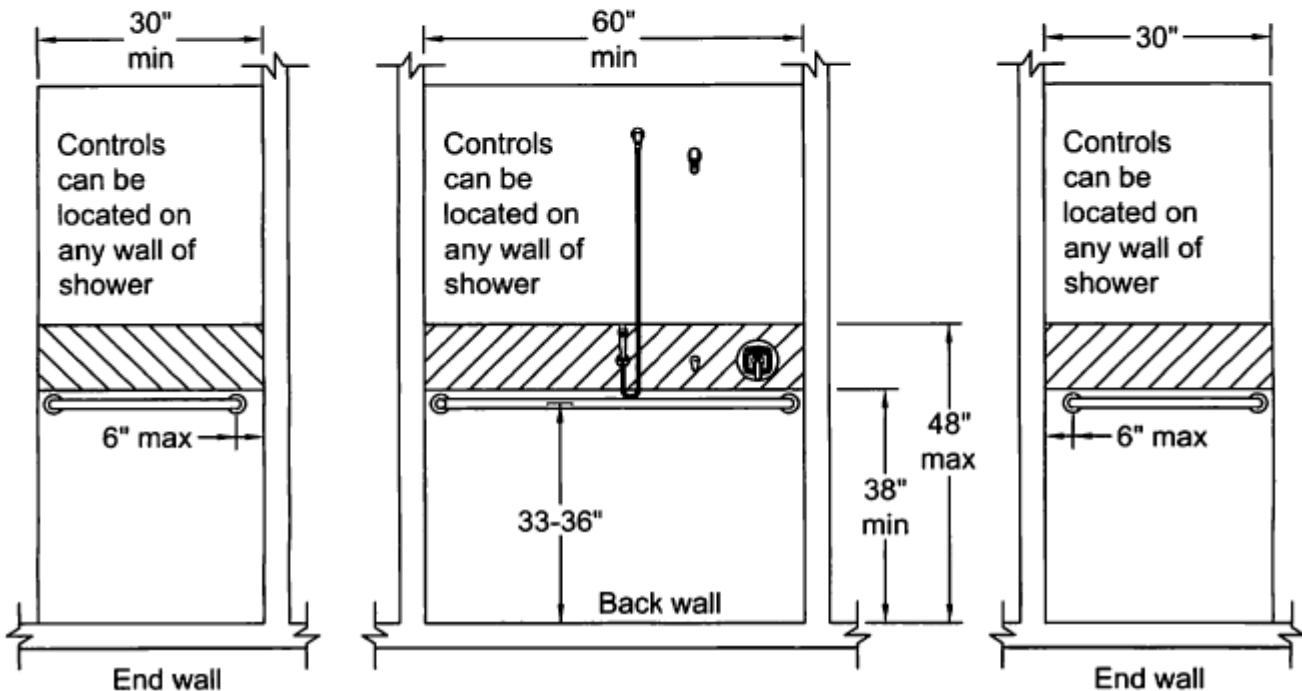
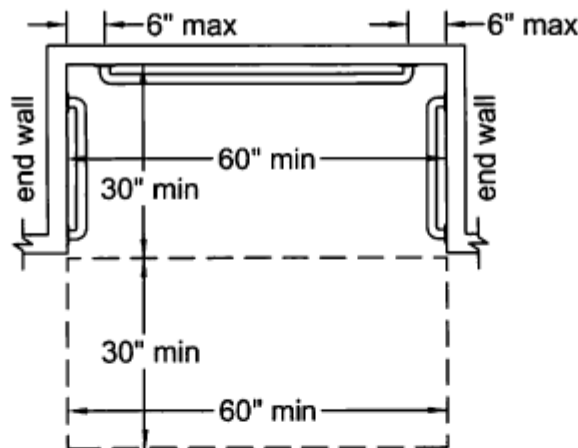
Roll shower compartments: standard roll-in type showers require a minimum 30" x 60", and must have a minimum 60" entry. See ICC A117.1 section 608.2.2

Clear floor space accessing the transfer shower compartment: a minimum 30" x 60" area must be provided adjacent to the compartment. See ICC A117.1 section 608.2.2.

Grab bars: grab bars for roll-in type showers must comply with ICC A117.1 section 609 & 608.3.2. Horizontal grab bars (33-36" above the floor) are required on three walls (if no seat is provided) 6" maximum from adjacent wall. Vertical grab bars are not required.

Seats: a seat is not required for transfer showers as per ICC A117.1 section 608.4

Controls: shower faucet controls must meet the requirements of ICC A117.1 section 608.5.2 & 309.4 Controls must be installed 38-48" above the floor, located on side walls or back wall. 59" minimum hose used in a fixed position or hand-held is required (ICC A117.1 608.6). An adjustable-height shower head with vertical bar is required.



51. grab bars for roll-in type showers must comply with ICC A117.1 and include vertical grab bars.
- true
 - false
52. standard roll-in type showers require a minimum 30" x 60", and must have a minimum ___" entry.
- 48
 - 36
 - 54
 - 60
53. A larger seat is required for transfer showers.
- true
 - false

Standard Roll-in shower stalls with seats

Roll shower compartments: standard roll-in type showers require a minimum 30" x 60", and must have a minimum 60" entry. See ICC A117.1 section 608.2.2

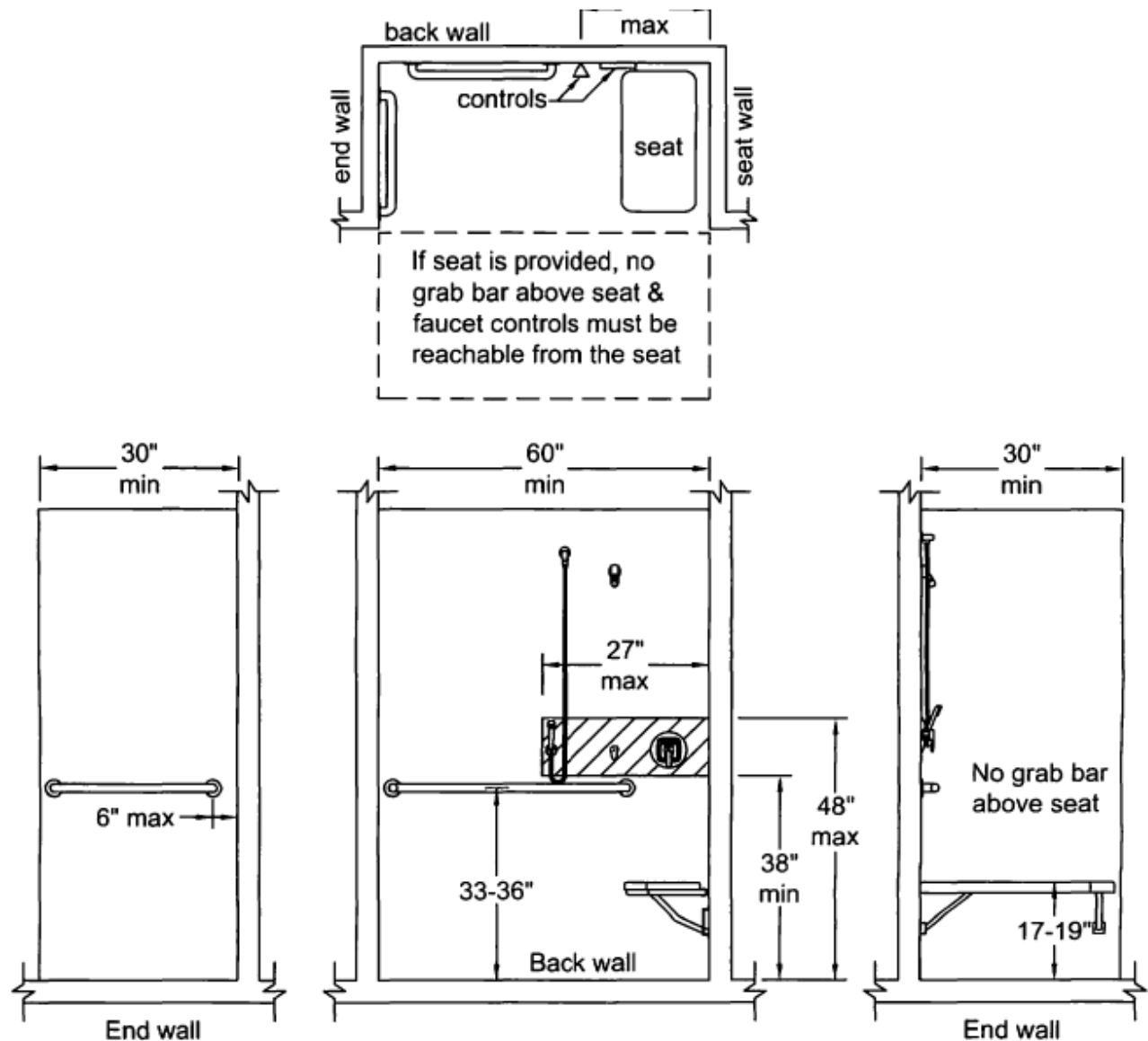
Clear floor space accessing the transfer shower compartment: a minimum 30" x 60" area must be provided adjacent to the compartment. See ICC A117.1 section 608.2.2.

Grab bars: grab bars for roll-in type showers must comply with ICC A117.1 section 609 & 608.3.2. Horizontal grab bars (33-36" above the floor) are required on three walls (if no seat is provided) 6" maximum from adjacent wall. Vertical grab bars are not required.

Seats: a seat is optional for standard transfer showers as per ICC A117.1 section 608.4. If the alternate roll-in shower size is utilized (36" x 60"), a seat is required.

Controls: shower faucet controls must meet the requirements of ICC A117.1 section 608.5.2 & 309.4. Controls must be installed 38-48" above the floor, located on side walls or back wall. If a seat is provided, the controls & hand shower must be located on back wall, 27" maximum from the seat wall. 59" minimum hose used in fixed or hand-held is required (ICC A117.1 608.6). An adjustable-height shower head with vertical bar is required.

54. Clear floor space accessing the transfer shower compartment requires a minimum 30" x 72" area must be provided adjacent to the compartment.
- true
 - false
55. Grab bars for roll-in type showers must comply with ICC A117.1 section 609 & 608.3.2. Horizontal grab bars 33-36" above the floor are required on _____ walls if no seat is provided.
- 2
 - 3
 - 4
 - all of the above
56. Controls for a standard Roll-in shower stall without a seat must be installed 38-48" above the floor and be located on _____ wall.
- side
 - back
 - front
 - both a & b
57. Controls for a standard Roll-in shower stall with a seat must be located on _____ wall.
- side
 - back
 - front
 - both a & b



Bathtubs with permanent seats

Clear floor space: a minimum 30" x 60" (tub length) must be provided adjacent to the bathtub. If a permanent seat is provided, the area must include an additional 12" beyond the tub length. See ICC A117.1 section 607.2

Grab bars - back wall: two horizontal grab bars are required on the back wall. One bar installed at 33"-36" above the floor; the other installed 9" above the rim of the tub. ICC A117.1 sections 609 & 607.4.1.

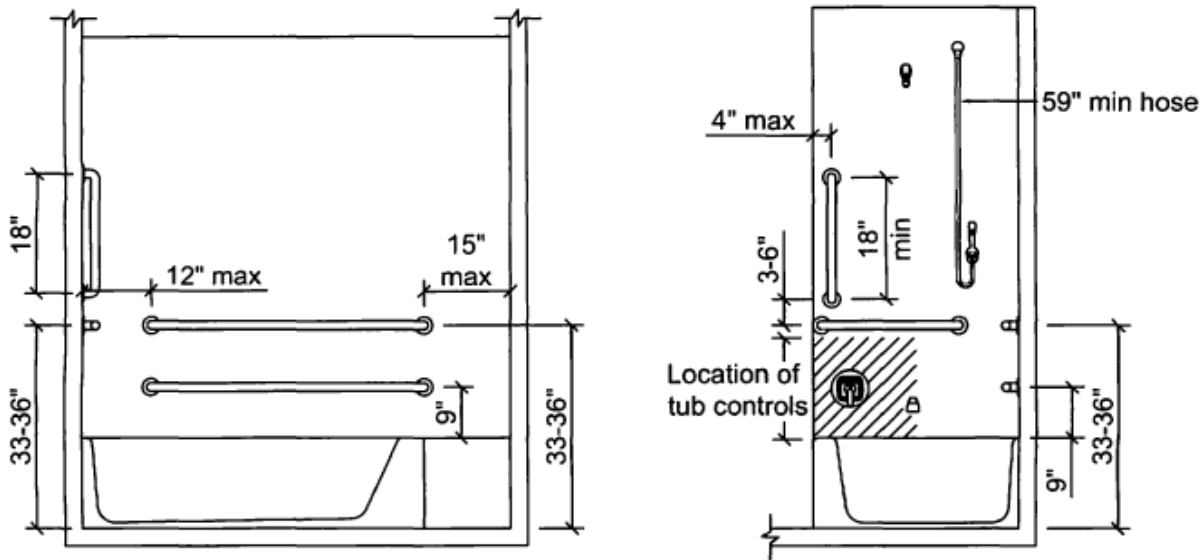
Grab bars- control end wall: one horizontal grab bar 24" length and one vertical grab bar 18" in length are required on the control wall. ICC A117.1 sections 609 & 607.4.1.2

Seats: a seat must comply with ICC A117.1 section 607.3 & 609

Controls: controls must be installed between the tub rim and the horizontal grab bar. 59" minimum hose used in fixed or hand-held is required. An adjustable-height shower head with vertical bar is required. ICC A117.1 sections 607.5, 607.6 & 309.4

58. Bathtubs with permanent seats must have two horizontal grab bars.

- a. true
- b. false



Bathtubs without permanent seats

Clear floor space: a minimum 30" x 60" (tub length) must be provided adjacent to the bathtub. See ICC A117.1 section 607.2

Grab bars - back wall: two horizontal grab bars are required on the back wall. One bar installed at 33"-36" above the floor; the other installed 9" above the rim of the tub. ICC A117.1 sections 609 & 607.4.2

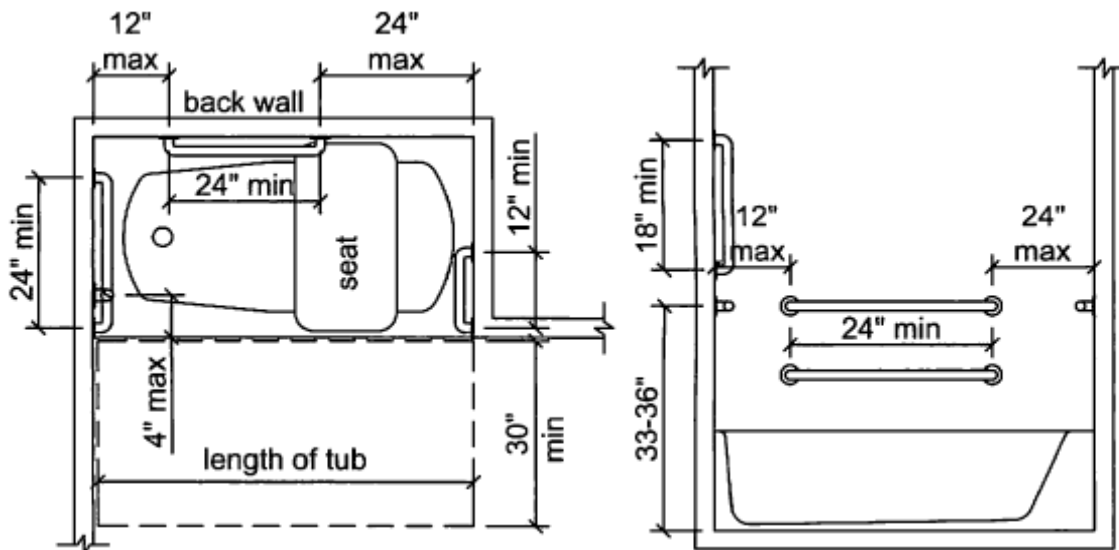
Grab bars- control end wall: one horizontal grab bar 24" length and one vertical grab bar 18" in length are required on the control wall. ICC A117.1 sections 609 & 607.4.2.2

Grab bars - head end wall: one horizontal grab bar 12" min length are required. ICC A117.1 sections 609 & 607.4.2.3

Seats: a seat must comply with ICC A117.1 section 607.3 & 609

Controls: controls must be installed between the tub rim and the horizontal grab bar. 59" minimum hose used in fixed or hand-held is required. An adjustable-height shower head with vertical bar is required. ICC A117.1 sections 607.5, 607.6 & 309.4

Note: Tubs with permanent seats differ from bathtubs without permanent seats in regard to grab bar location & length; primarily on the back wall and the head end wall.



59. Bathtubs without permanent seats must have the controls installed between the tub rim and the horizontal grab bar.
- a. true
 - b. false
60. Bathtubs without permanent seats must have a ____” minimum hose used in fixed or hand-held showers.
- a. 36
 - b. 60
 - c. 59
 - d. 12

Accessible Building Quiz-Answer Sheet

<u>1</u>	a b c d	<u>21</u>	a b c d	<u>41</u>	a b c d
<u>2</u>	a b c d	<u>22</u>	a b c d	<u>42</u>	a b c d
<u>3</u>	a b c d	<u>23</u>	a b c d	<u>43</u>	a b c d
<u>4</u>	a b c d	<u>24</u>	a b c d	<u>44</u>	a b c d
<u>5</u>	a b c d	<u>25</u>	a b c d	<u>45</u>	a b c d
<u>6</u>	a b c d	<u>26</u>	a b c d	<u>46</u>	a b c d
<u>7</u>	a b c d	<u>27</u>	a b c d	<u>47</u>	a b c d
<u>8</u>	a b c d	<u>28</u>	a b c d	<u>48</u>	a b c d
<u>9</u>	a b c d	<u>29</u>	a b c d	<u>49</u>	a b c d
<u>10</u>	a b c d	<u>30</u>	a b c d	<u>50</u>	a b c d
<u>11</u>	a b c d	<u>31</u>	a b c d	<u>51</u>	a b c d
<u>12</u>	a b c d	<u>32</u>	a b c d	<u>52</u>	a b c d
<u>13</u>	a b c d	<u>33</u>	a b c d	<u>53</u>	a b c d
<u>14</u>	a b c d	<u>34</u>	a b c d	<u>54</u>	a b c d
<u>15</u>	a b c d	<u>35</u>	a b c d	<u>55</u>	a b c d
<u>16</u>	a b c d	<u>36</u>	a b c d	<u>56</u>	a b c d
<u>17</u>	a b c d	<u>37</u>	a b c d	<u>57</u>	a b c d
<u>18</u>	a b c d	<u>38</u>	a b c d	<u>58</u>	a b c d
<u>19</u>	a b c d	<u>39</u>	a b c d	<u>59</u>	a b c d
<u>20</u>	a b c d	<u>40</u>	a b c d	<u>60</u>	a b c d

To obtain your Continuing Education Credits follow the below instructions.

1. Print out first.
2. Fill in all fields applicable.
3. Include your certification or license number if applicable.
4. We'll take care of crediting with the state and sending you back a verification form.

Send by mail

- 1. The answer sheet and this page only.**
2. Fill out this form below completely.
3. Applicable fees by check payable to Gary Klinka.
4. Mail to: Gary Klinka at 228 Mandella Ct Neenah WI 54956.

Office 920-727-9200 Fax 888-727-5704 Cell 920-740-6723 or 920-740-4119
 Email: garyklinka@hotmail.com

-----Educational Course Attendance Verification Form -----

Attendee's Name _____ Date _____

Address _____

Credential Number _____ Phone# _____

Course Title and Name _____ Accessible Bld-Plmb Quiz

List each credential held by attendee _____

_____ Credited Hours 6 hrs. Fee: \$55 or 2 hrs. Fee \$20

Email address _____ Fax# _____

To be completed by Gary Klinka www.garyklinka.com My credential link [#70172](#)

Course Password _____ Course ID# 13637

Attendee passed the course with a greater than 70% score on Date _____

Instructor Signature _____

6 hour \$55 course for:

1. Master Plumber 6 hrs.
2. Journeyman Plumber 6 hrs.
3. Commercial Plumbing Inspector 6 hrs.

4. UDC Plumbing Inspector 6 hrs.

2 hour \$20 course for

1. Commercial Building Inspector 2 hrs.