

Truss Joist Insulated Header Quiz

Instructions:

Fee: \$25

1. Print these pages.
2. Print referencing manual for my site <http://garyklinka.com/Manuals/TJ-8102.pdf> or at the TJI site www.ilevel.com/literature/TJ-8102.pdf
3. Circle or enter the correct answer.
4. See the last page for verification forms and mailing instructions.

This 2 hour course is approved for:

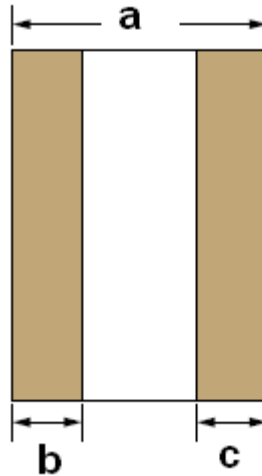
1. Dwelling Contractor Qualifier Certification.
2. UDC Construction Inspector.
3. Commercial Building Inspector.

1. Some of the characteristics of the Trus Joist TJ-Insulated headers are?
 - a. Insulates to R14
 - b. Resists framing heat loss or gain
 - c. only b
 - d. both a & b
2. Some of the characteristics of the Trus Joist TJ-Insulated headers are?
 - a. Match 2x4 walls
 - b. Reduces installation labor with one-piece members
 - c. only b
 - d. both a & b
3. Some of the characteristics of the Trus Joist TJ-Insulated headers are?
 - a. Resist bowing, twisting, and shrinking
 - b. Reduces construction waste on the job site
 - c. only b
 - d. both a & b
4. TJ-Insulated headers are manufactured using two plies of ilevel Trus Joist 1.5E Timberstrand LSL with a rigid foam core.
 - a. true
 - b. false
5. Designed for 2x4 and 2x6 walls, these headers allow for quick, one-piece installation, while providing an insulation value of R14.
 - a. true
 - b. false
6. TJ-Insulated headers are available in the following sizes: widths of 3 1/2" & 5 1/2" and depths of 5 1/2", 7 1/4", 9 1/4", 11 1/4", and 14".
 - a. true
 - b. false

Allowable Design Stresses (100% Load Duration)

7. Shear Modulus of Elasticity..... = _____
8. Flexural stress..... = _____

- 9. Compression perpendicular to grain... = _____
- 10. Compression parallel to grain..... = _____
- 11. Horizontal shear parallel to grain..... = _____



Use the above diagram from page 2 to answer questions 12-14

- 12. The letter 'a' above represents what size?
 - a. 3 1/2"
 - b. 5 1/2"
 - c. 1 1/2"
 - d. none of the above
- 13. The letter 'b' above represents what size?
 - a. 3 1/2"
 - b. 5 1/2"
 - c. 1 1/2"
 - d. none of the above
- 14. The letter 'c' above represents what size?
 - a. 3 1/2"
 - b. 5 1/2"
 - c. 1 1/2"
 - d. none of the above

General Assumptions for TimberStrand LSL

- 15. Lateral support is required at bearing and along the compression edges of each ply at 24" on center, maximum.
 - a. true
 - b. false
- 16. All members 5 1/2" or less in depth are restricted to a minimum deflection of 3/8".
 - a. true
 - b. false

Bearing Length Requirements

- 17. Minimum bearing length is ____ at ends and ____ at intermediate supports.
 - a. 1 ½', 3 ½'
 - b. 3", 5 ½"
 - c. 1 ½", 5 ½"
 - d. 1 ½", 3 ½"
- 18. Bearing across the full beam width is required.
 - a. true
 - b. false
- 19. Bearing lengths for TJ Insulated headers are based on an effective width of the 1.9E TimberStrand LSL.
 - a. true
 - b. false
- 20. Interpolation between reaction loads is permitted for determining bearing widths.
 - a. true
 - b. false

Reaction (lbs)	Bearing Length for TJ®-Insulated Headers
3,000	a
3,500	b
4,000	c
4,500	d
5,000	e
5,500	f
6,000	g
6,500	h
7,000	i
7,500	j
8,000	k
8,500	l
9,000	m
9,500	n

Use the above diagram from page 3 to answer questions 21-28

- 21. What is the bearing length requirement for 'a' above?
 - a. 1 ¾"
 - b. 2"
 - c. 2 ¼"
 - d. 2 ½"
 - e. 2 ¾"
 - f. 3"
 - g. 3 ¼"
 - h. 3 ½"
 - i. 3 ¾"
 - j. 4"
 - k. 4 ¼"
 - l. 4 ½"
 - m. 4 ¾"
 - n. 1 ½"
- 22. What is the bearing length requirement for 'n' above?
 - a. 1 ¾"
 - b. 2"
 - c. 2 ¼"
 - d. 2 ½"
 - e. 2 ¾"
 - f. 3"
 - g. 3 ¼"
 - h. 3 ½"
 - i. 3 ¾"
 - j. 4"
 - k. 4 ¼"
 - l. 4 ½"
 - m. 4 ¾"
 - n. 1 ½"
- 23. What is the bearing length requirement for 'b' above?
 - a. 1 ¾"
 - b. 2"
 - c. 2 ¼"
 - d. 2 ½"
 - e. 2 ¾"
 - f. 3"
 - g. 3 ¼"
 - h. 3 ½"
 - i. 3 ¾"
 - j. 4"
 - k. 4 ¼"
 - l. 4 ½"
 - m. 4 ¾"
 - n. 1 ½"
- 24. What is the bearing length requirement for 'm' above?
 - a. 1 ¾"
 - b. 2"
 - c. 2 ¼"
 - d. 2 ½"
 - e. 2 ¾"
 - f. 3"
 - g. 3 ¼"
 - h. 3 ½"
 - i. 3 ¾"
 - j. 4"
 - k. 4 ¼"
 - l. 4 ½"
 - m. 4 ¾"
 - n. 1 ½"
- 25. What is the bearing length requirement for 'c' above?
 - a. 1 ¾"
 - b. 2"
 - c. 2 ¼"
 - d. 2 ½"
 - e. 2 ¾"
 - f. 3"
 - g. 3 ¼"
 - h. 3 ½"
 - i. 3 ¾"
 - j. 4"
 - k. 4 ¼"
 - l. 4 ½"
 - m. 4 ¾"
 - n. 1 ½"
- 26. What is the bearing length requirement for 'l' above?

- a. 1 3/4" b. 2" c. 2 1/4" d. 2 1/2" e. 2 3/4" f. 3" g. 3 1/4"
- h. 3 1/2" i. 3 3/4" j. 4" k. 4 1/4" l. 4 1/2" m. 4 3/4" n. 1 1/2"
27. What is the bearing length requirement for 'd' above?
- a. 1 3/4" b. 2" c. 2 1/4" d. 2 1/2" e. 2 3/4" f. 3" g. 3 1/4"
- h. 3 1/2" i. 3 3/4" j. 4" k. 4 1/4" l. 4 1/2" m. 4 3/4" n. 1 1/2"
28. What is the bearing length requirement for 'k' above?
- a. 1 3/4" b. 2" c. 2 1/4" d. 2 1/2" e. 2 3/4" f. 3" g. 3 1/4"
- h. 3 1/2" i. 3 3/4" j. 4" k. 4 1/4" l. 4 1/2" m. 4 3/4" n. 1 1/2"

Nails Installed on the Narrow Face

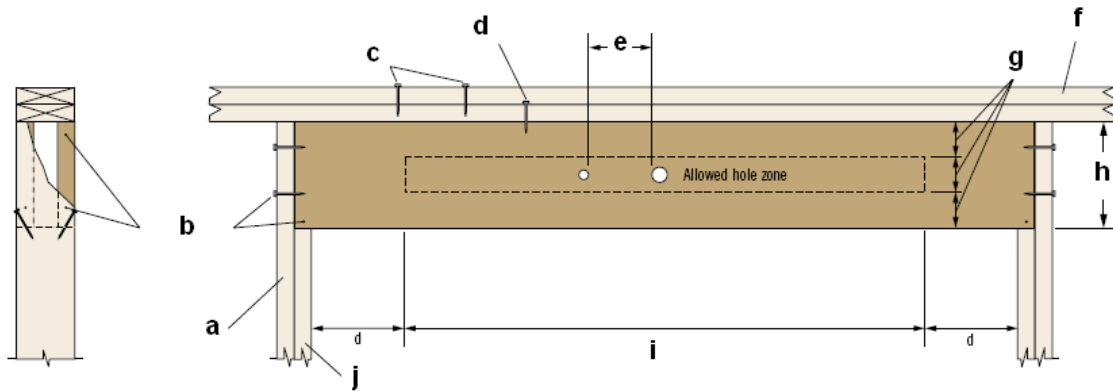
Nail Size	Closest On-Center Spacing Per Row	Minimum Edge Distance
8d (2 1/2") Common	a	d
10d (3") or 12d (3 1/4") Common	b	e
16d (3 1/2") Common	c	f

If more than one row of nails is used, the rows must be offset at least 1/2" and staggered.

Use the above diagram from page 3 to answer questions 29-35

29. Letter 'a' represents _____ ?
- a. 4"
- b. 3"
- c. 6"
- d. none of the above
30. Letter 'b' represents _____ ?
- a. 4"
- b. 3"
- c. 6"
- d. none of the above
31. Letter 'c' represents _____ ?
- a. 4"
- b. 3"
- c. 6"
- d. none of the above
32. Letter 'd' represents _____ ?
- a. 3/8"
- b. 7/16"
- c. 1/2"
- d. none of the above
33. Letter 'e' represents _____ ?
- a. 3/8"
- b. 7/16"
- c. 1/2"
- d. none of the above
34. Letter 'f' represents _____ ?
- a. 3/8"
- b. 7/16"
- c. 1/2"
- d. none of the above
35. If more than one row of nails is used, the row must be offset at least 1/2" and staggered.
- a. true

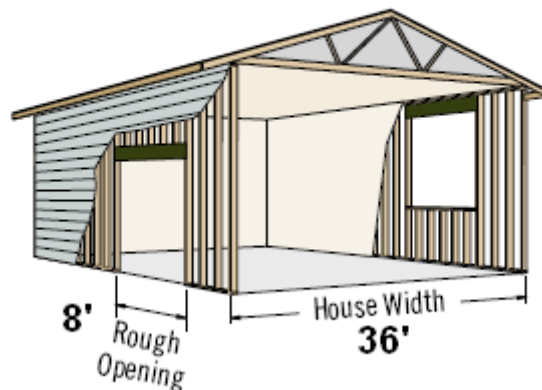
b. false



Use the above diagram from page 3 to fill in the blank for questions 36-48

- 36. The letter 'j' above represents? _____
- 37. The letter 'a' above represents? _____
- 38. The letter 'b' above represents? _____
- 39. The letter 'c' above represents? _____
- 40. The letter 'd' above represents? _____
- 41. The letter 'e' above represents? _____
- 42. The letter 'f' above represents? _____
- 43. The letter 'g' above represents? _____
- 44. The letter 'h' above represents? _____
- 45. The letter 'i' above represents? _____
- 46. The 'allowed hole zone' is suitable for uniformly loaded headers only.
 - a. true
 - b. false
- 47. Only round or square holes are allowed in the 'allowed hole zone'.
 - a. true
 - b. false
- 48. Round and square holes are allowed in cantilevers.
 - a. true
 - b. false

Plated Trusses

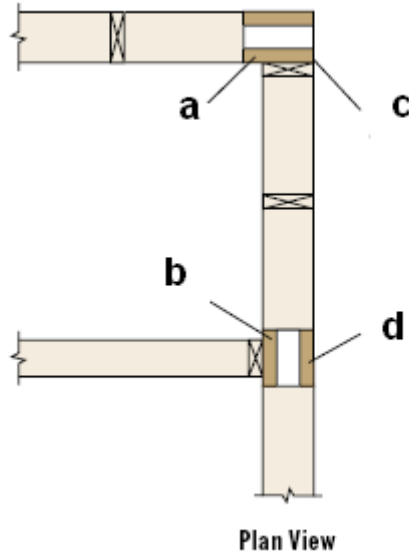


Use the table on page 4 'Header Supporting Roof' to answer questions 49-56

49. What size header would be required for a roof load of 20LL & 15 DL?
 - a. 14"
 - b. not permitted
 - c. 9 1/4"
 - d. 11 1/4"
50. What size header would be required for a roof load of 20LL & 20 DL?
 - a. 14"
 - b. not permitted
 - c. 9 1/4"
 - d. 11 1/4"
51. What size header would be required for a roof load of 25LL & 15 DL?
 - a. 14"
 - b. not permitted
 - c. 9 1/4"
 - d. 11 1/4"
52. What size header would be required for a roof load of 40LL & 15 DL?
 - a. 14"
 - b. not permitted
 - c. 9 1/4"
 - d. 11 1/4"
53. What size header would be required for a roof load of 60LL & 15 DL?
 - a. 14"
 - b. not permitted
 - c. 9 1/4"
 - d. 11 1/4"
54. What size header would be required for a roof load of 70LL & 15 DL?
 - a. 14"
 - b. not permitted
 - c. 9 1/4"
 - d. 11 1/4"
55. The table on this page includes a soffit length up to?
 - a. 12"

- b. 18"
- c. 20"
- d. 24"

56. The deflection criteria for the table on this page is _____ for live loads and _____ for total loads.
- a. 180, 240
 - b. 360, 240
 - c. 240, 180
 - d. none of the above



Use the above diagram from page 7 to fill in the blank for questions 57-60

57. The letter 'a' above represents? _____
58. The letter 'b' above represents? _____
59. The letter 'c' above represents? _____
60. The letter 'd' above represents? _____

To obtain your Continuing Education Credits follow the below instructions.

1. Print out first.
2. Fill in all fields applicable.
3. Include your certification or license number.
4. We'll take care of crediting with the state and mailing back to you the quiz results.

Send by mail

Fee: \$25

1. Course pages with the answers.
2. Fill out this form below completely.
3. Applicable fees by check payable to Gary Klinka.
4. Mail to: Gary Klinka at 228 Mandella Ct Neenah WI 54956.
5. 920-727-9200 fax:888-727-5704 cell:920-740-4119 or 920-740-6723 garyklinka@hotmail.com

-----Educational Course Attendance Verification Form -----

Attendee's Name _____ Date _____

Address _____

Credential Number _____ Phone# _____

Course Title and Name _____ Insulated Header Quiz

List the name of each credential held by attendee _____

_____ Credited Hours _____ 2 hrs

Email address _____ Fax# _____

To be completed by Gary Klinka www.garyklinka.com My credential link [#70172](#)

Course Password _____ Course ID# _____ 8424

Attendee passed the course with a greater than 70% score on Date _____

Instructor Signature _____