

xconnection repair quiz part 1

Instructions

1. Print this quiz from my website and write in the answers from the reference material below.
2. Print the reference materials from my website [click here](#). This is a large file and could take several minutes.
3. Answer the questions completely using the reference materials.
4. Go to the bottom of this page for course verification forms and mailing instructions.

6 hour course qualifies for the following Credentials:

Fees: \$55

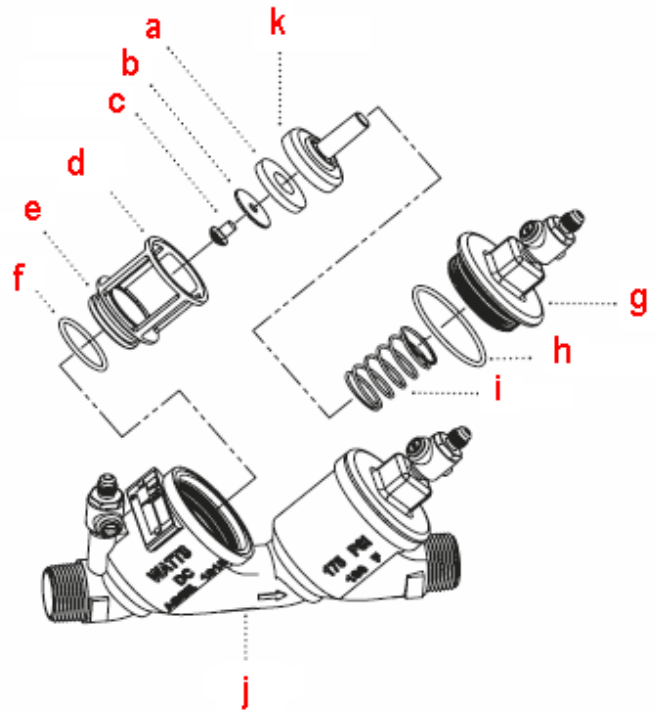
1. Commercial Plumbing Inspector
2. Journeyman Plumber License
3. Journeyman Plumber-Restricted Appliance License
4. Master Plumber License
5. Master Plumber-Restricted Appliance License
6. Cross Connection Control Tester
7. UDC-Plumbing Inspector Certification

Repair Kit Matrix

1. The letters HK present? _____
2. The letters UK represents? _____
3. The letters AK represents? _____
4. The letters RK represents? _____
5. The letter M represents? _____
6. The letter T represents? _____
7. The letter S represents? _____
8. The number 1 represents? _____
9. The number 2 represents? _____
10. The number 3 represents? _____
11. The number 4 represents? _____
12. The letters RT represents? _____
13. The letters SS represents? _____
14. The letters RV represents? _____

- 15. The letters SM represents? _____
- 16. The letters RC represents? _____
- 17. The letters HW represents? _____
- 18. The letters CK represents? _____
- 19. The letter V represents? _____
- 20. The letter C represents? _____
- 21. The letter B represents? _____

Series 719
Double Check Valve Assemblies
Sizes 1/2" - 2"

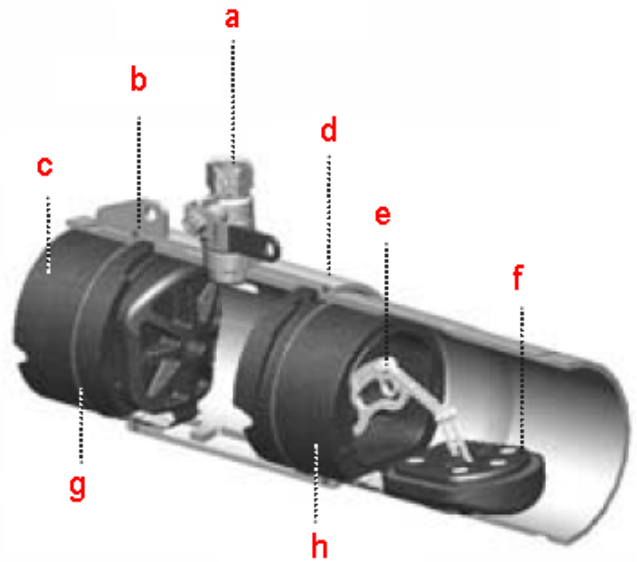


Use the above diagram to answer questions 22-32

- 22. The letter 'a' represents? _____
- 23. The letter 'b' represents? _____
- 24. The letter 'c' represents? _____
- 25. The letter 'd' represents? _____
- 26. The letter 'e' represents? _____
- 27. The letter 'f' represents? _____

- 28. The letter 'g' represents? _____
- 29. The letter 'h' represents? _____
- 30. The letter 'i' represents? _____
- 31. The letter 'j' represents? _____
- 32. The letter 'k' represents? _____

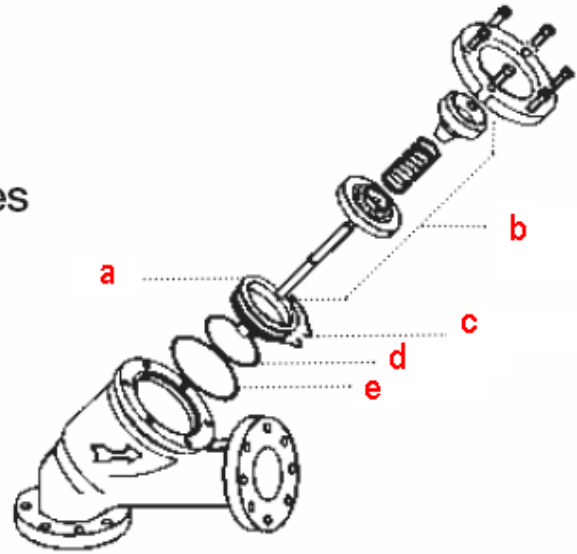
Series
757, 757DCDA
757a, 757aDCDA
Double Check Valve Assemblies
Double Check Detector Assemblies



Use the above diagram to answer questions 33-40

- 33. The letter 'a' represents? _____
- 34. The letter 'b' represents? _____
- 35. The letter 'c' represents? _____
- 36. The letter 'd' represents? _____
- 37. The letter 'e' represents? _____
- 38. The letter 'f' represents? _____
- 39. The letter 'g' represents? _____
- 40. The letter 'h' represents? _____

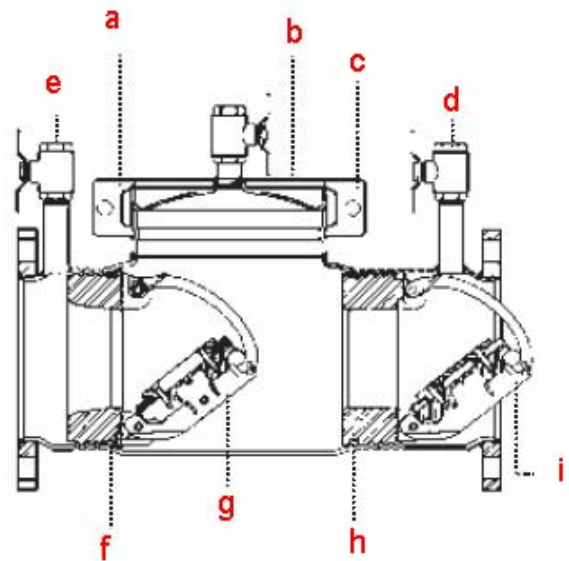
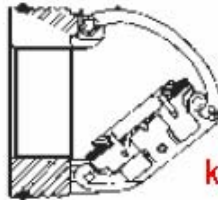
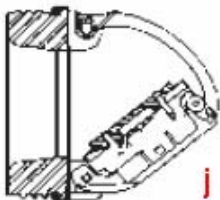
**Series
773, 773DCDA**
 Double Check Valve Assemblies
 Double Check Detector Assemblies
 Sizes 4" and 6"



Use the above diagram to answer questions 41-45

- 41. The letter 'a' represents? _____
- 42. The letter 'b' represents? _____
- 43. The letter 'c' represents? _____
- 44. The letter 'd' represents? _____
- 45. The letter 'e' represents? _____

Series 775, 775DCDA
 Double Check Valve Assemblies
 Double Check Detector Assemblies
 Sizes 3" – 8"



Use the above diagram to answer questions 46-56

- 46. The letter 'a' represents? _____
- 47. The letter 'b' represents? _____
- 48. The letter 'c' represents? _____
- 49. The letter 'd' represents? _____
- 50. The letter 'e' represents? _____
- 51. The letter 'f' represents? _____
- 52. The letter 'g' represents? _____
- 53. The letter 'h' represents? _____
- 54. The letter 'i' represents? _____
- 55. The letter 'j' represents? _____
- 56. The letter 'k' represents? _____

Trouble Shooting Guide for Double check assemblies and double check detector assemblies

57. A double check valve fails to hold 1.0 PSID minimum due to debris on check disc surface. Should this valve be replaced?

- a. yes
- b. no

58. What is the solution for the above problem? _____

59. A double check valve fails to hold 1.0 PSID minimum due to leaking gate valve. Should this valve be replaced?

- a. yes
- b. no

60. What is the solution for the above problem? _____

61. A double check valve fails to hold 1.0 PSID minimum due to damaged seat disc or seat O-ring. Should this valve be replaced?

- a. yes
- b. no

62. What is the solution for the above problem? _____

63. A double check valve fails to hold 1.0 PSID minimum due to a damaged guide holding the check open. Should this valve be replaced?

- a. yes
- b. no

64. What is the solution for the above problem? _____

65. A double check valve fails to hold 1.0 PSID minimum due to a weak or broken spring. Should this valve be replaced?

- a. yes
- b. no

66. What is the solution for the above problem? _____

67. A double check valve has chatter during flow conditions due to worn, damaged or defective guides. Should this valve be replaced?

- a. yes
- b. no

68. What is the solution for the above problem? _____

69. A double check valve has low flows passing through mainline valve (DCDA only) and the check(s) on the mainline are fouled. Should the valve be replaced?

- a. yes
- b. no

70. What is the solution for the above problem? _____

71. A double check valve has low flows passing through mainline valve (DCDA only) and the meter strainer on the bypass line is plugged. Should the valve be replaced?

- a. yes
- b. no

72. What is the solution for the above problem? _____

73. A double check valve has low flows passing through mainline valve (DCDA only) and the mainline seat disc or seat is damaged. Should the valve be replaced?

- a. yes
- b. no

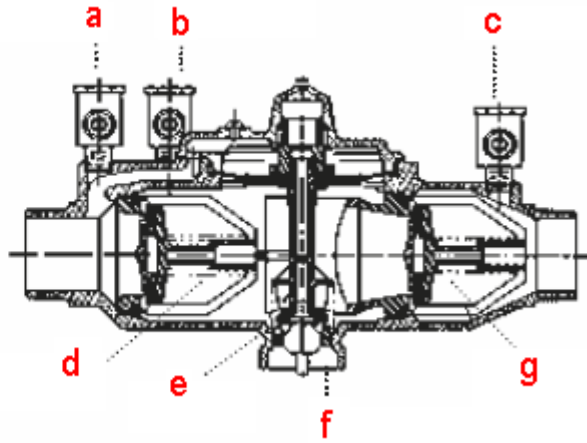
74. What is the solution for the above problem? _____

75. A double check valve has low flows passing through mainline valve (DCDA only) and has a broken mainline spring. Should the valve be replaced?

- a. yes
- b. no

76. What is the solution for the above problem? _____

Series 009
 Reduced Pressure Zone
 Assemblies
 Sizes 1/4" – 2"



Use the above diagram to answer questions 77-83

77. The letter 'a' represents? _____

78. The letter 'b' represents? _____

79. The letter 'c' represents? _____

80. The letter 'd' represents? _____

81. The letter 'e' represents? _____

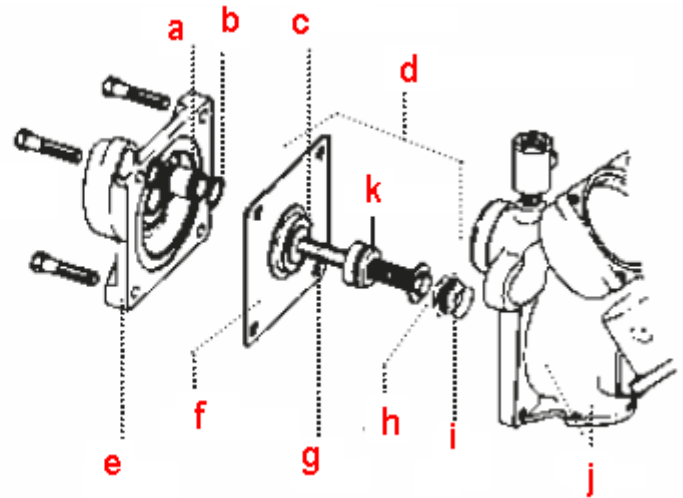
82. The letter 'f' represents? _____

83. The letter 'g' represents? _____

Series 909

Reduced Pressure Zone Assemblies

3/4" - 1"

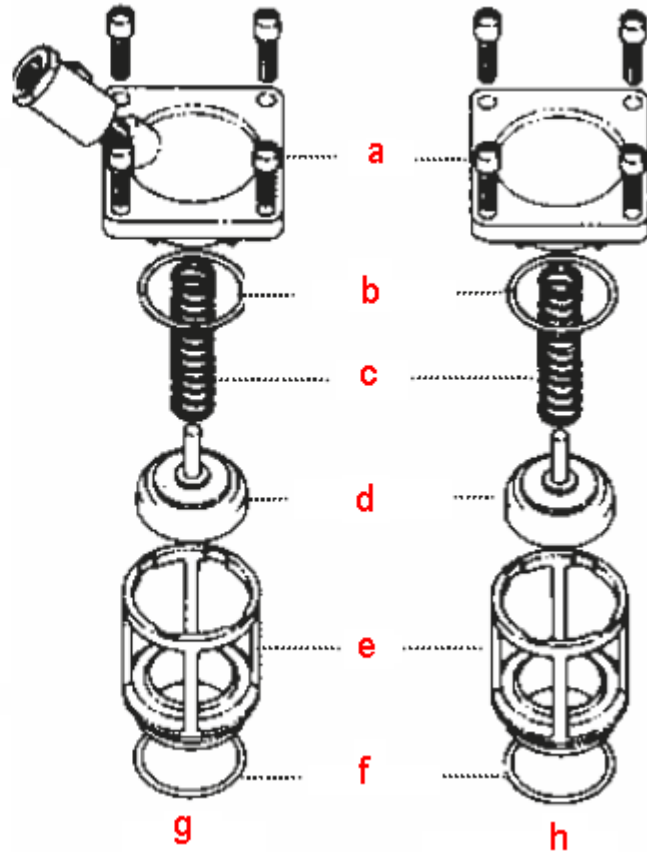


Use the above diagram to answer questions 84-94

- 84. The letter 'a' represents? _____
- 85. The letter 'b' represents? _____
- 86. The letter 'c' represents? _____
- 87. The letter 'd' represents? _____
- 88. The letter 'e' represents? _____
- 89. The letter 'f' represents? _____
- 90. The letter 'g' represents? _____
- 91. The letter 'h' represents? _____
- 92. The letter 'i' represents? _____
- 93. The letter 'j' represents? _____
- 94. The letter 'k' represents? _____

Series 909

Reduced Pressure Zone
Assemblies
Sizes 3/4" - 2"



Use the above diagram to answer questions 95-102

- 95. The letter 'a' represents? _____
- 96. The letter 'b' represents? _____
- 97. The letter 'c' represents? _____
- 98. The letter 'd' represents? _____
- 99. The letter 'e' represents? _____
- 100. The letter 'f' represents? _____
- 101. The letter 'g' represents? _____
- 102. The letter 'h' represents? _____

To obtain your Continuing Education Credits follow the below instructions.

1. Print out first.
2. Fill in all fields applicable. **Fee \$55**
3. Include your certification or license number if applicable.
4. We'll take care of crediting with the state and sending you back a verification form.

Send by mail

1. **The answer sheet and this page only.**
2. Fill out this form below completely.
3. Applicable fees by check payable to Gary Klinka.
4. Mail to: Gary Klinka at 228 Mandella Ct Neenah WI 54956.
5. Office 920-727-9200 Fax 888-727-5704 Cell 920-740-6723 or 920-740-4119
6. Email: garyklinka@hotmail.com

-----Educational Course Attendance Verification Form -----

Attendee's Name _____ Date _____

Address _____

Credential Number _____ Phone# _____

Course Title and Name _____ XCONNECTIONREPAIR12 _____

List each credential held by attendee _____

_____ Credited Hours _____ 6 hrs _____

Email address _____ Fax# _____

To be completed by Gary Klinka www.garyklinka.com My credential link [#70172](#)

Course Password _____ Course ID# 8570 _____

Attendee passed the course with a greater than 70% score on Date _____

Instructor Signature _____