

xconnection repair quiz part 2

Instructions

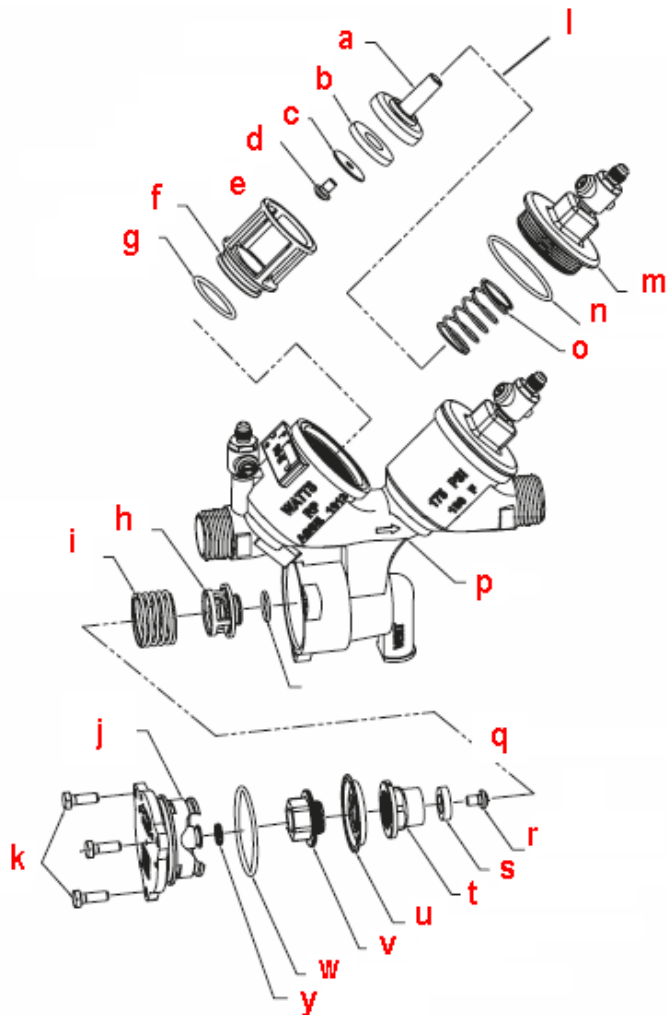
1. Print this quiz from my website and write in the answers from the reference material below.
2. Print the reference materials from my website [click here](#). This is a large file and could take several minutes.
3. Answer the questions completely using the reference materials.
4. Go to the bottom of this page for course verification forms and mailing instructions.

6 hour course qualifies for the following Credentials:

Fees: \$55

1. Commercial Plumbing Inspector
2. Journeyman Plumber License
3. Journeyman Plumber-Restricted Appliance License
4. Master Plumber License
5. Master Plumber-Restricted Appliance License
6. Cross Connection Control Tester
7. UDC-Plumbing Inspector Certification

Series 919
 Reduced Pressure Zone
 Assemblies
 Sizes 1/4" - 2"



Use the above diagram to answer questions 103-126

103. The letter 'a' represents? _____

104. The letter 'b' represents? _____

105. The letter 'c' represents? _____

106. The letter 'd' represents? _____

107. The letter 'e' represents? _____

108. The letter 'f' represents? _____

109. The letter 'g' represents? _____

110. The letter 'h' represents? _____

111. The letter 'i' represents? _____

112. The letter 'j' represents? _____

113. The letter 'k' represents? _____

114. The letter 'l' represents? _____

115. The letter 'm' represents? _____

116. The letter 'n' represents? _____

117. The letter 'o' represents? _____

118. The letter 'p' represents? _____

119. The letter 'q' represents? _____

120. The letter 'r' represents? _____

121. The letter 's' represents? _____

122. The letter 't' represents? _____

123. The letter 'u' represents? _____

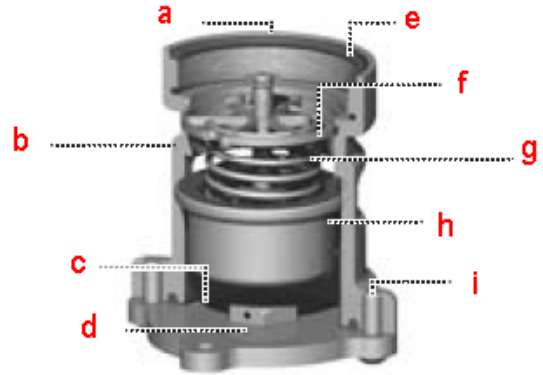
124. The letter 'v' represents? _____

125. The letter 'w' represents? _____

126. The letter 'y' represents? _____

Series 957, 957RPDA

Reduced Pressure Zone Assemblies
Reduced Pressure Detector Assemblies



Use the above diagram to answer questions 127-135

127. The letter 'a' represents? _____

128. The letter 'b' represents? _____

129. The letter 'c' represents? _____

130. The letter 'd' represents? _____

131. The letter 'e' represents? _____

132. The letter 'f' represents? _____

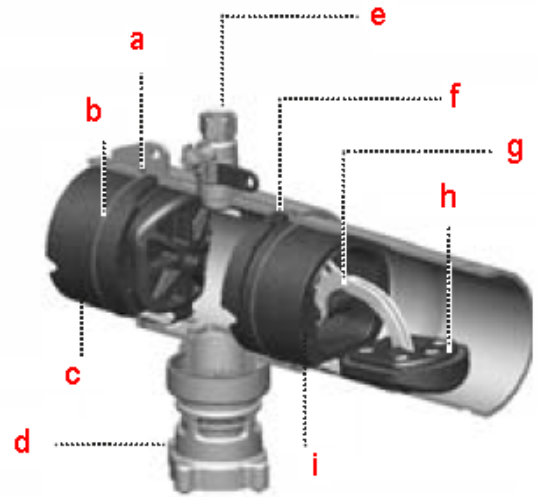
133. The letter 'g' represents? _____

134. The letter 'h' represents? _____

135. The letter 'i' represents? _____

Series 957, 957RPDA

Reduced Pressure Zone Assemblies
Reduced Pressure Detector Assemblies
Sizes 2½" – 10"



Use the above diagram to answer questions 136-144

136. The letter 'a' represents? _____

137. The letter 'b' represents? _____

138. The letter 'c' represents? _____

139. The letter 'd' represents? _____

140. The letter 'e' represents? _____

141. The letter 'f' represents? _____

142. The letter 'g' represents? _____

143. The letter 'h' represents? _____

144. The letter 'i' represents? _____

Trouble shooting guide-reduced pressure zone assemblies and reduced pressure detector assemblies

146. A reduced pressure zone assembly/reduced pressure detector assembly has a valve that spits periodically from the vent due to fluctuating supply pressure. Should this valve be replaced?

- a. yes
- b. no

147. What is the solution for the above problem? _____

148. A reduced pressure zone assembly/reduced pressure detector assembly has a valve that spits periodically from the vent due to fluctuating downstream pressure. Should this valve be replaced?

- a. yes
- b. no

149. What is the solution for the above problem? _____

150. A reduced pressure zone assembly/reduced pressure detector assembly has a valve that drips continually from the vent due to a fouled first check. Should this valve be replaced?

- a. yes
- b. no

151. What is the solution for the above problem? _____

152. A reduced pressure zone assembly/reduced pressure detector assembly has a valve that drips continually from the vent due to a damaged or fouled relief valve seat. Should this valve be replaced?

- a. yes
- b. no

153. What is the solution for the above problem? _____

154. A reduced pressure zone assembly/reduced pressure detector assembly has a valve that drips continually from the vent due to a relief valve piston 'O' ring not free to move due to pipe scale, dirt or build-up for mineral deposits. Should this valve be replaced?
a. yes b. no

155. What is the solution for the above problem? _____

156. A reduced pressure zone assembly/reduced pressure detector assembly has a valve that drips continually from the vent due to excessive backpressure, freezing, or water. Should this valve be replaced?
a. yes b. no

157. What is the solution for the above problem? _____

158. A reduced pressure zone assembly/reduced pressure detector assembly has a valve that drips continually from the vent due to Electrolysis of relief valve seat. Should this valve be replaced?
a. yes b. no

159. What is the solution for the above problem? _____

160. A reduced pressure zone assembly/reduced pressure detector assembly has a valve that drips continually from the vent due to the valve improperly reassembled. Should this valve be replaced?
a. yes b. no

161. What is the solution for the above problem? _____

162. A reduced pressure zone assembly/reduced pressure detector assembly valve that exhibits high pressure drop due to a fouled strainer. Should this valve be replaced?

- a. yes
- b. no

163. What is the solution for the above problem? _____

164. A reduced pressure zone assembly/reduced pressure detector assembly valve that exhibits high pressure drop due to a valve is too small for the flows encountered. Should this valve be replaced?

- a. yes
- b. no

165. What is the solution for the above problem? _____

166. A reduced pressure zone assembly/reduced pressure detector assembly valve that has no water flowing downstream of valve due to the valve installed backwards. Should this valve be replaced?

- a. yes
- b. no

167. What is the solution for the above problem? _____

168. A reduced pressure zone assembly/reduced pressure detector assembly valve that doesn't test properly due to a leaky downstream gate valve. Should this valve be replaced?

- a. yes
- b. no

169. What is the solution for the above problem? _____

170. A reduced pressure zone assembly/reduced pressure detector assembly valve that quickly and repeatedly fouls following servicing due to debris in the pipe line are too fine to be trapped by the strainer. Should this valve be replaced?

- a. yes
- b. no

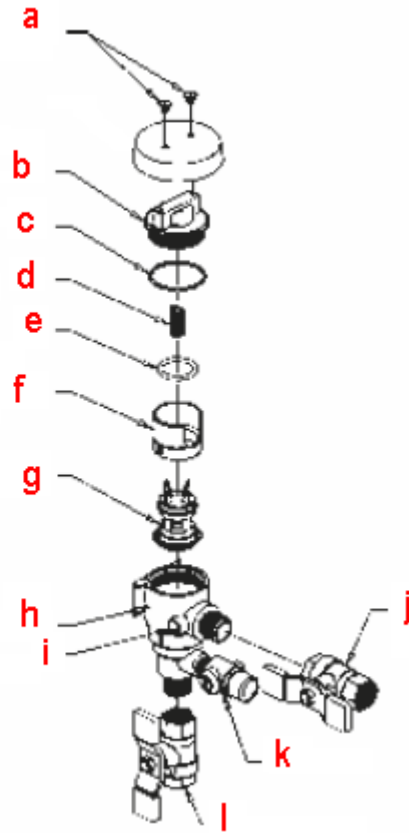
171. What is the solution for the above problem? _____

172. What is the correct procedure to winterize backflow preventers? _____

Series 008, 008PC

Anti-Siphon, Anti-Spill
Vacuum Breaker

Sizes $\frac{3}{8}$ " - 1"



Use the above diagram to answer questions 173-184

173. The letter 'a' represents? _____

174. The letter 'b' represents? _____

175. The letter 'c' represents? _____

176. The letter 'd' represents? _____

177. The letter 'e' represents? _____

178. The letter 'f' represents? _____

179. The letter 'g' represents? _____

180. The letter 'h' represents? _____

181. The letter 'i' represents? _____

182. The letter 'j' represents? _____

183. The letter 'k' represents? _____

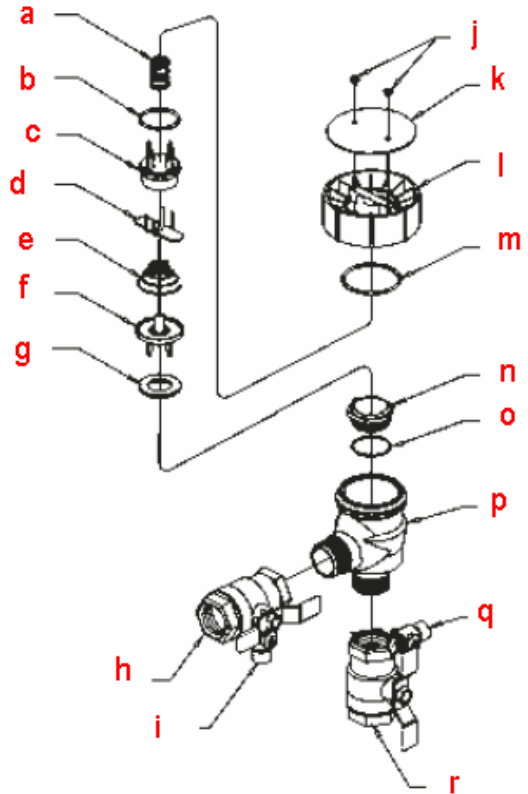
184. The letter 'l' represents? _____

Series 800M4, 800M4FR

Pressure Vacuum Breaker

Sizes 1/2" - 2"

(Size 1" - 2")



Use the above diagram to answer questions 185-202

185. The letter 'a' represents? _____

186. The letter 'b' represents? _____

187. The letter 'c' represents? _____

188. The letter 'd' represents? _____

189. The letter 'e' represents? _____

190. The letter 'f' represents? _____

191. The letter 'g' represents? _____

192. The letter 'h' represents? _____

193. The letter 'i' represents? _____

194. The letter 'j' represents? _____

195. The letter 'k' represents? _____

196. The letter 'l' represents? _____

197. The letter 'm' represents? _____

198. The letter 'n' represents? _____

199. The letter 'o' represents? _____

200. The letter 'p' represents? _____

201. The letter 'q' represents? _____

202. The letter 'r' represents? _____

To obtain your Continuing Education Credits follow the below instructions.

1. Print out first.
2. Fill in all fields applicable. **Fee \$55**
3. Include your certification or license number if applicable.
4. We'll take care of crediting with the state and sending you back a verification form.

Send by mail

1. **The answer sheet and this page only.**
2. Fill out this form below completely.
3. Applicable fees by check payable to Gary Klinka.
4. Mail to: Gary Klinka at 228 Mandella Ct Neenah WI 54956.
5. Office 920-727-9200 Fax 888-727-5704 Cell 920-740-6723 or 920-740-4119
6. Email: garyklinka@hotmail.com

-----Educational Course Attendance Verification Form -----

Attendee's Name _____ Date _____

Address _____

Credential Number _____ Phone# _____

Course Title and Name _____ XCONNECTIONREPAIR part2 _____

List each credential held by attendee _____

_____ Credited Hours _____ 6 hrs _____

Email address _____ Fax# _____

To be completed by Gary Klinka www.garyklinka.com My credential link [#70172](#)

Course Password _____ Course ID# 8569 _____

Attendee passed the course with a greater than 70% score on Date _____

Instructor Signature _____